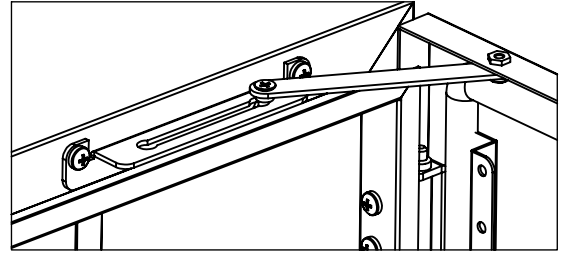
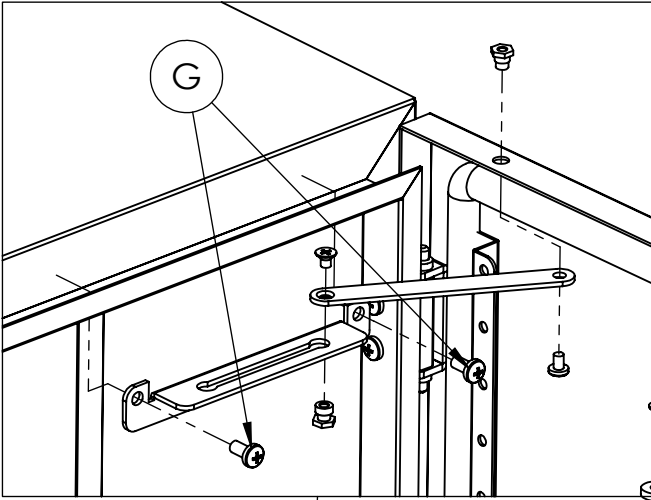
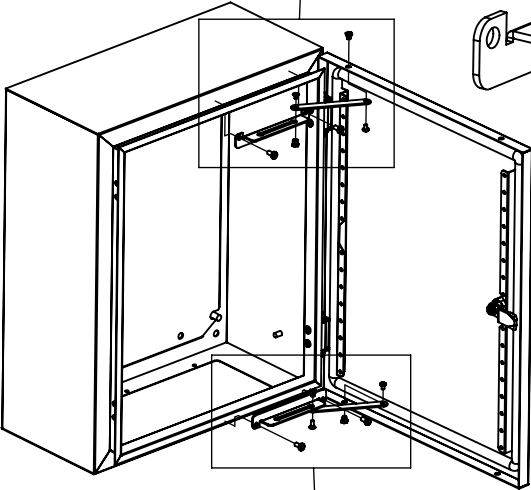


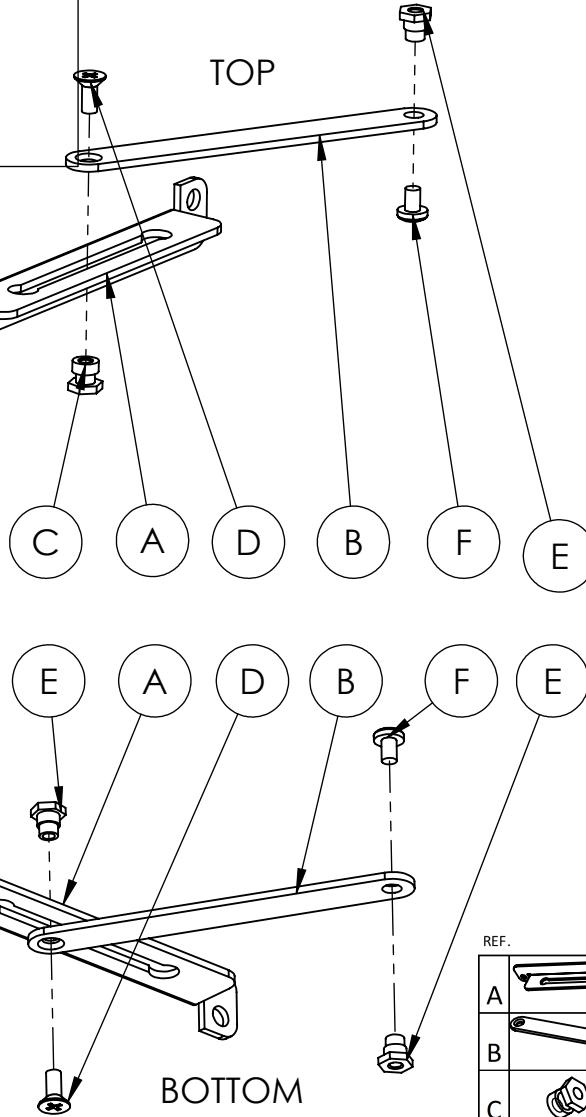
**WSTDSTP2--**








TOP APPLICATION

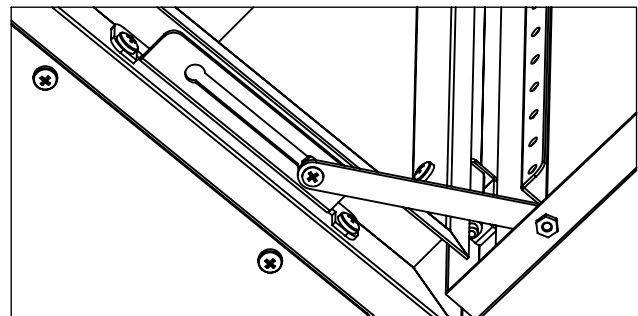
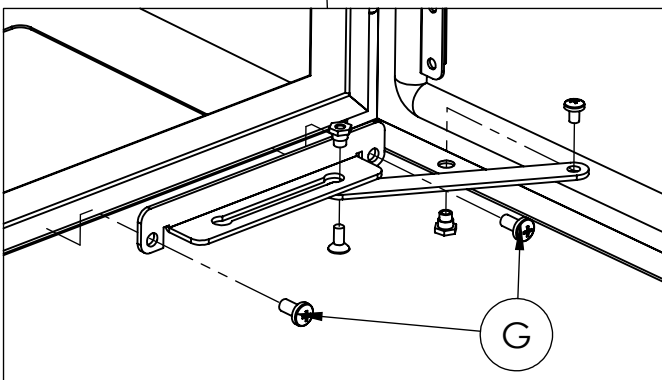


BOTTOM APPLICATION



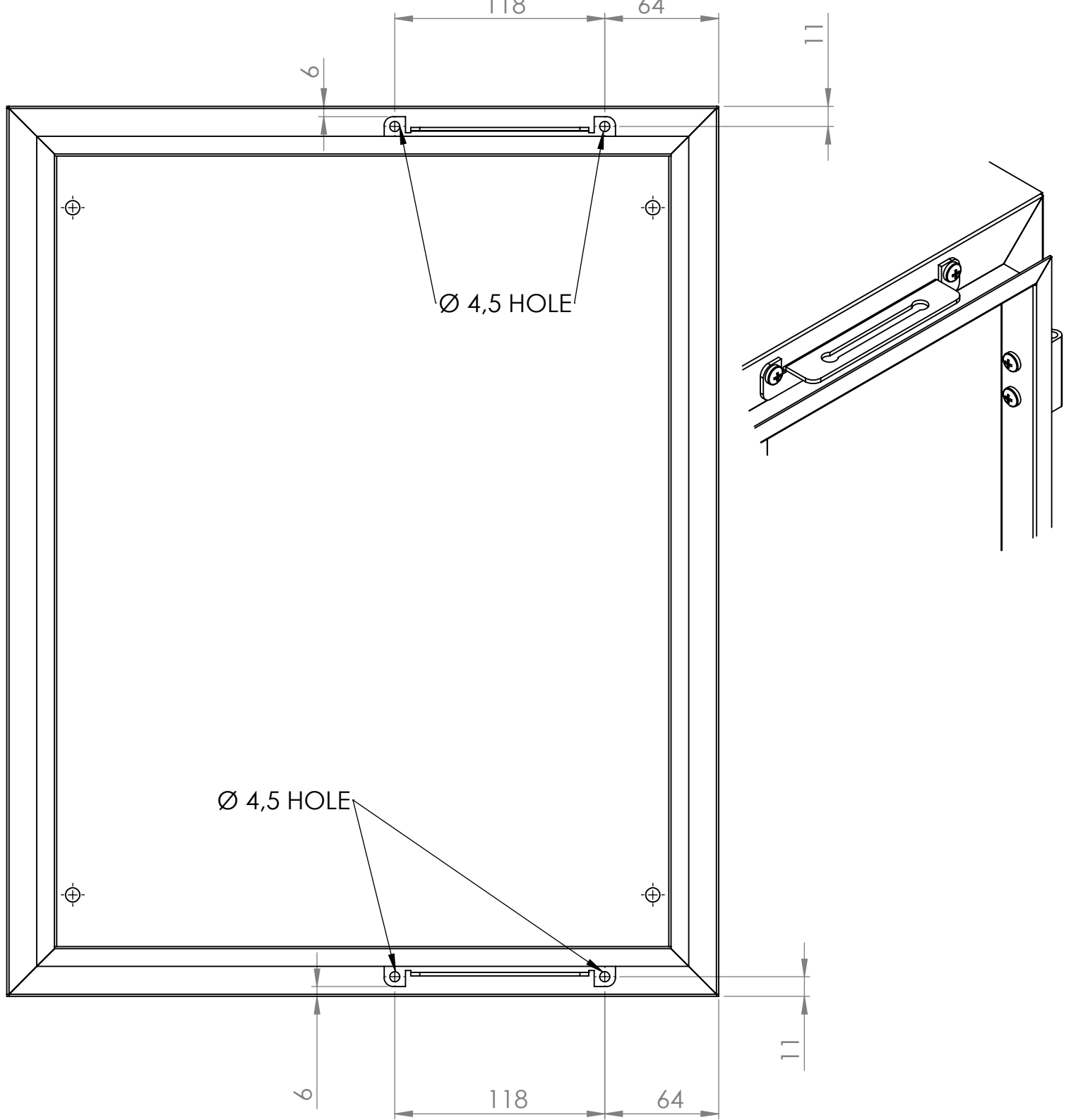
**PART LIST**

REF.	Pic.	REF.	Pic.
A		E	
B		M4x8	1
C		M5x10	2
D			
	1		



HOLE DIMENSION

TOP APPLICATION



Ø 4,5 HOLE

BOTTOM APPLICATION