

CVH-2000 Version: 1



14-Slot Media Converter Chassis

The LevelOne CVH-2000 media converter chassis is able to host up to 14 media converters. The chassis supports LevelOne FVT-2001/2002/2201/2401 and GVT-2000/2001 Media Converts. All converters are individually secured into the chassis and can be hot-swapped for maximum connection reliability.

The dual power supplies ensure continuous network operation. The Chassis is a standard 19-inch rack-mountable size that easily fits into a server rack.



1. Converter Chassis Slot
2. Power On / Off switch
3. Power Socket

Key Features

- Supports 14 slots for various type of Media Converters
- 2 redundant power units supported
- Converter module hot-swappable
- -10°C ~ 55°C operating temperature range

Specifications

System Specifications

Connectors and Cabling:

14 x converter slots

Indicator:

Power A; Power B

Power:

Power Consumption: < 60W

AC Power Input: 100~265VAC, 50~60Hz

Redundant Power



Environment

Temperature (°C):

Operating: 0°C ~ 50°C

Storage: -10°C ~ 70°C

Humidity (Non-condensing):

Operating: 5% ~ 90%

Physical Specifications

Dimensions (W x D x H mm):

427 x 315 x 91mm(2U, 19")

Weight (g):

4200 g

Others

Approval and Compliance:

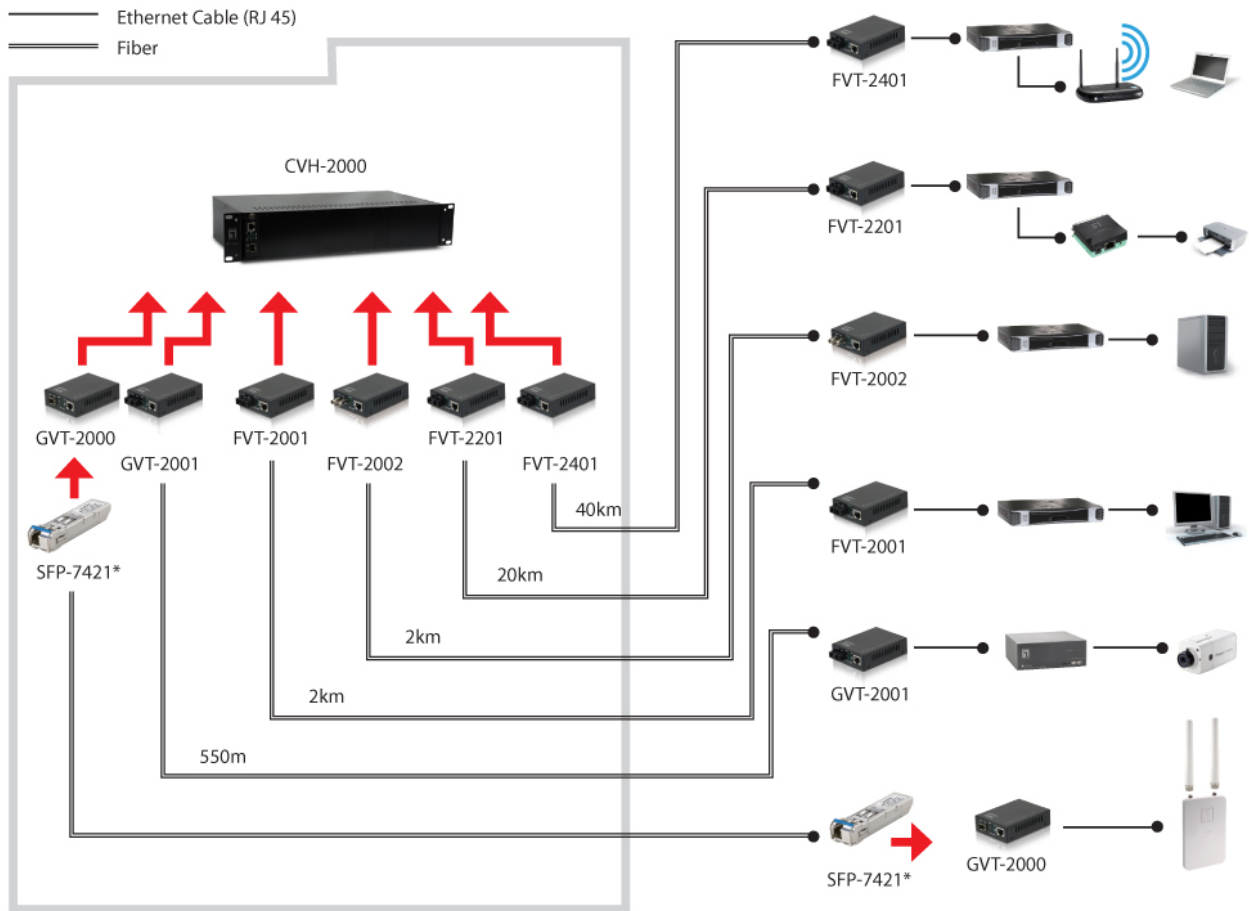
CE, RoHS, FCC

Deployment:

19-inch rack-mountable

Diagram

Dimension Diagram



* In above example diagram, converter modules at local and remote ends should be paired for proper connectivity, and the distance mainly depends on cable and transceiver selection accordingly.

Order Information

CVH-2000

Package Contents

- CVH-2000
- Module Brackets
- Quick Installation Guide
- Power Cord x 2

No liability or responsibility for any errors or omissions in the content.
Specifications are subject to change without notice.
All mentioned brand names are registered trademarks and property of their owners.
Copyright © Digital Data Communications GmbH, Germany. All Rights Reserved.