

INSTALLATION MANUAL

67282AN, 67282BN

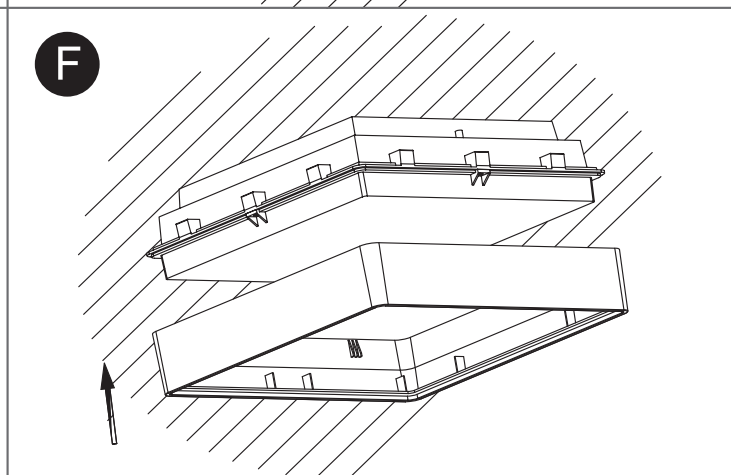
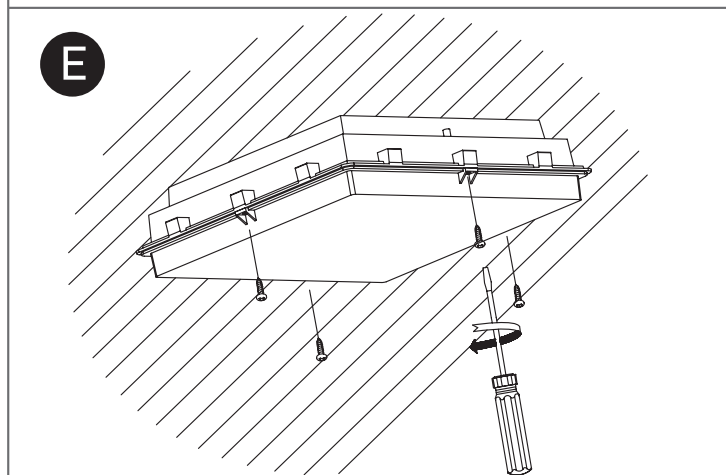
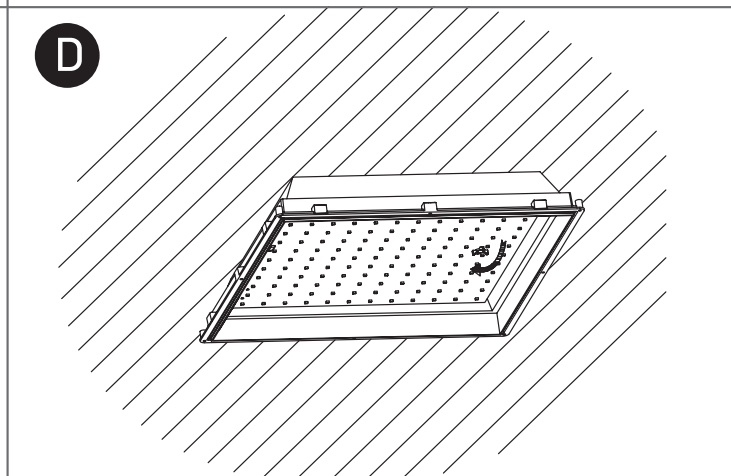
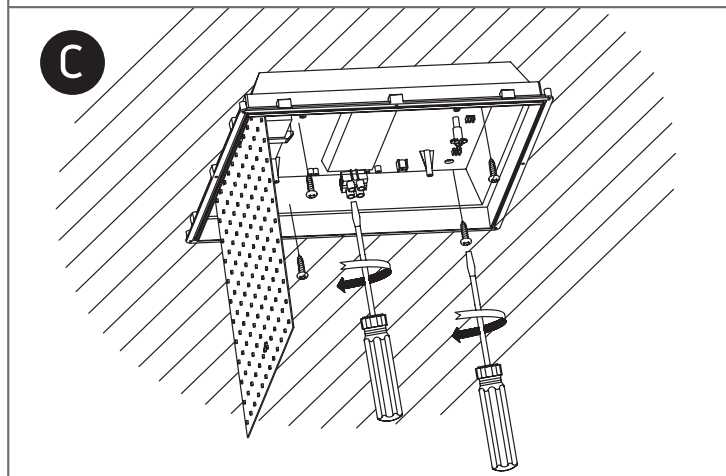
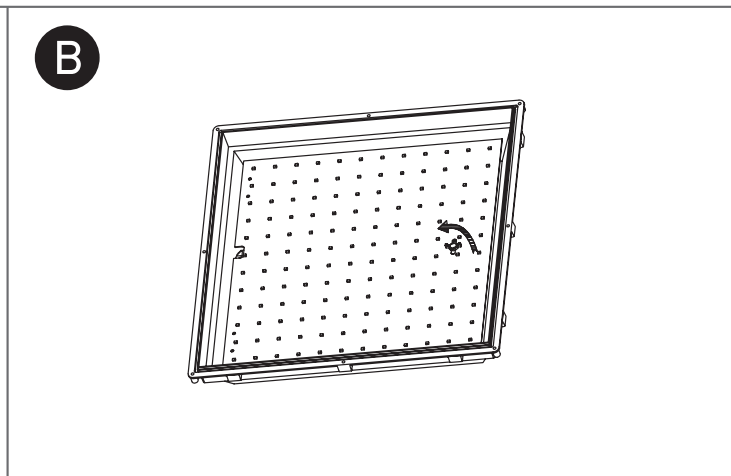
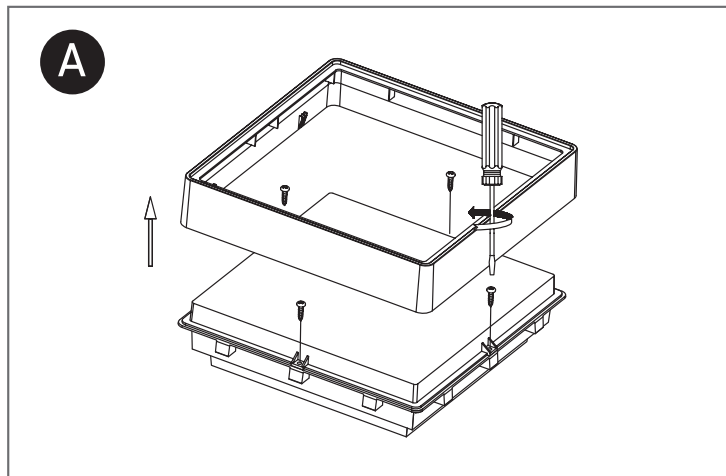
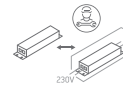
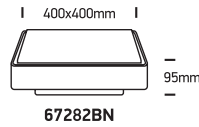
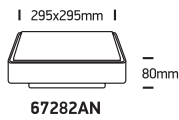
ecolight



80
CRI



230V | SMD 2835 | 24W / 30W | IP65 | ABS+PC
Complete with 600mA / 700mA driver.



Warnings:

1. Make sure that the product is installed properly before connecting to electricity.
2. Do not cover the fitting.
3. Maintenance and installation should only be carried out by a professional electrician.