

Venice Wi-Fi 6854W

COMELIT
WITH • YOU • ALWAYS

TECHNICAL MANUAL

Venice Wi-Fi door entry monitor - VIP system

Android door entry monitor compatible with the Comelit IP video entry system (ViP), with 7" touchscreen and the same flexibility as a tablet with the possibility to load third party apps. The apps must be verified and certified by Comelit to guarantee compatibility and to allow them to load. This means the user is offered a device which is no longer just a door entry monitor, but a controller for the home that can be used to manage the functions offered by systems from other manufacturers, for example managing home automation, intruder alarm and building services, plus accessing web pages and using pre-installed apps. The device has a LAN port and Wi-Fi connection to guarantee IP video entry system connection and the Internet connection required to use the installed apps.

Technical specifications

GENERAL DATA

Product height (mm) 130

Product width (mm) 194

Product depth (mm) 15,9

Product color White

Material Plastic

Wall-mounted Yes

DISPLAY FEATURES

Size (inches) 7

Aspect Ratio 16:9

Touch screen Yes, capacitive

Resolution (pixels) 1024x600

OSD menu Yes

Type of display LCD

AUDIO FEATURES

Tech. implemented Full-Duplex

ELECTRICAL CHARACTERISTICS

Type of power supply PoE, External power supply

Supply voltage 18-24 VDC

Supply voltage with art. POESPLITTER 12 VDC (max 1mt)

PoE power supply SPoE (24 VDC)

Absorption in stand-by 4,5 Watt

Maximum absorption 7 Watt

HARDWARE FEATURES

Number of inputs 4

Communication ports RJ45 (Ethernet)

Ethernet ports 1

Network connection RJ45

Type of connections/ ports 1xEthernet 10/100 Mbit/s

Video encoding H.264

SETTINGS

Loudspeaker volume Yes

Microphone volume Yes

Ringtone volume Yes

Screen brightness Yes

Screen contrast Yes

Screen colour Yes

Screen backlight Yes

NETWORK AND COMMUNICATION PROTOCOLS

Type of LAN network Ethernet 10/100 Mbit/s

IP address assignment DHCP, AUTO IP, static IP

Operating system Android

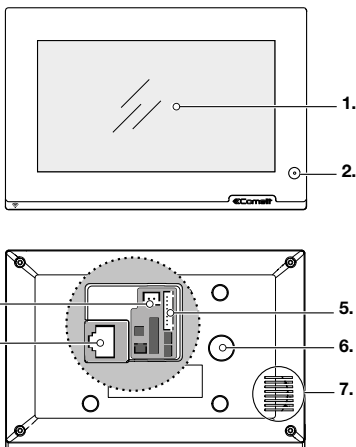
ENVIRONMENTAL AND COMPLIANCE FEATURES

IP protection degree	IP30
Operating temperature	-20° ÷ 55°
Operating humidity (RH max - %)	10% ÷ 95%
Environmental class	IV
Compliance and Certifications	RoHS II - 2011/65/UE (EN 50581:2012), EMC 2014/30/UE (EN 61000-6-1:2007 , EN 61000-6-3:2007+A1:2011)

HARDWARE FEATURES

Compatibility with Video Entry Comelit app	Yes
Compatibility with Comelit app (with external gateway)	Yes
Door opener	Yes
Self Activation	Yes
Intercom calls	Yes
Actuator control	Yes
CPS call	Yes
Outside door call input	Yes
Silent mode (Privacy)	Yes
Hands-free function	Yes
Priority calls	Yes


Description



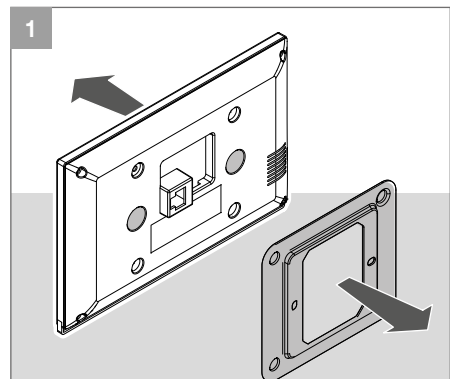
* Cable supplied

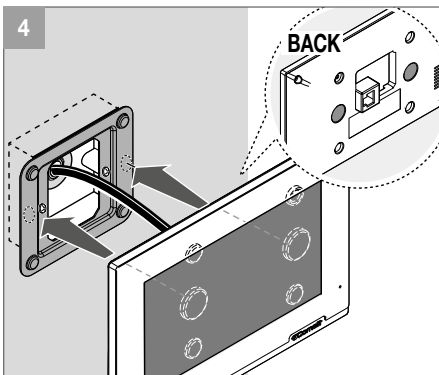
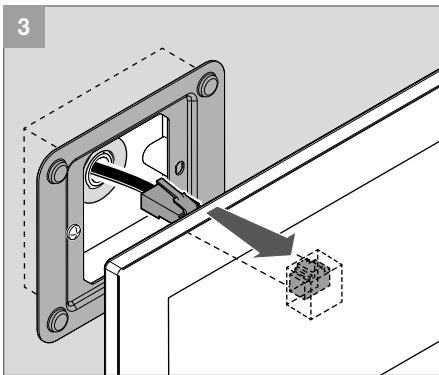
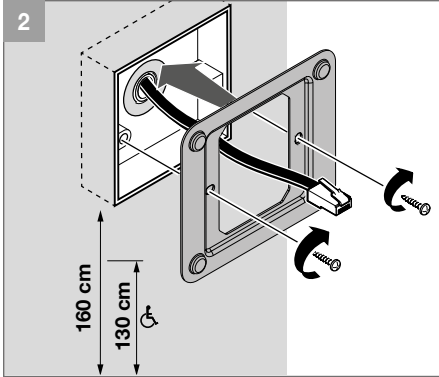
- LCD Display
 - Touch screen
 - 7" 16:9
 - Pixel 1024x600
- Microphone
- Power input (18-24 VDC) * as an alternative to SPOE power supply
- RJ45 SPOE (24 VDC) to connect art. 1442B
- Input *
 - A8...A5** Not used
 - CFP** Floor door call input
 - AL** Alarm input
 - PAN** Panic input
 - IN1** General purpose input
 - GND** Ground for input
 - 12V OUT** Not used
- Two magnets for fixing the door entry monitor to the bracket
- Speaker

Operating distances

Power supply source	Type of power supply	Maximum distance
SPoE 24 VDC	UTP5 cat. 5 0,2 mm ² or Ø 0,5 mm AWG 24 	100 m
24 VDC	Pair of cables AWG 24	50 m
PoE with art. POESPLITTER (12 VDC)	Pair of cables AWG 26	1 m

Installation

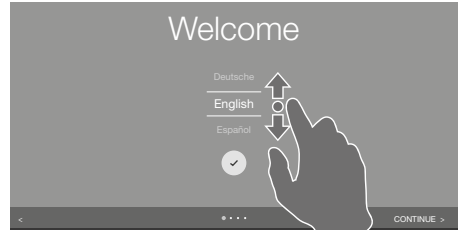




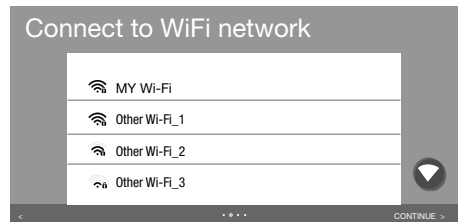
Configuration

CONFIGURATION WIZARD

1. **Select the desired language**, confirm by pressing and continue with guided configuration by pressing **continue >**



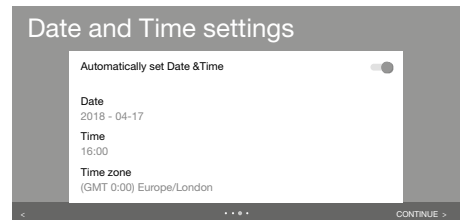
2. **Select the Wi-Fi network to which you wish to connect**, enter the password, confirm and continue with guided configuration by pressing **continue >**



3. **Set the date and time**

- **to automatically update the date and time via internet:** Activate "Automatically set Date & Time" and select your time zone
- **to set the device date and time manually:** Deactivate "Automatically set Date & Time" and press the individual elements to customise them.

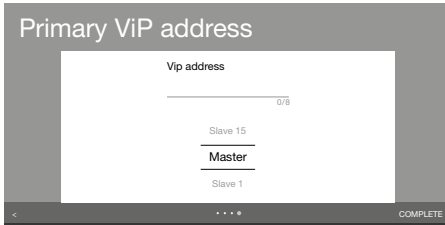
Continue with guided configuration by pressing **continue >**



4. **Set the ViP address** for the device (8-character alphanumeric ID code provided by your installer)

and choose whether you want to install the monitor as:

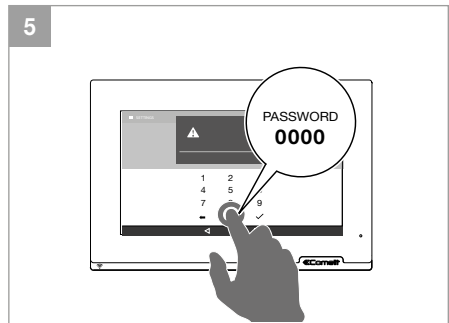
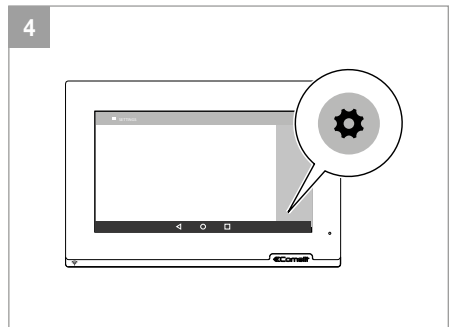
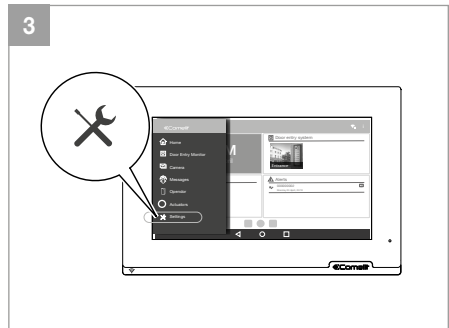
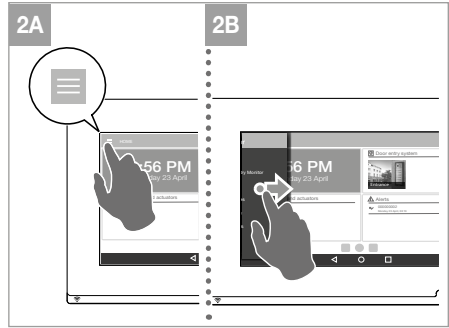
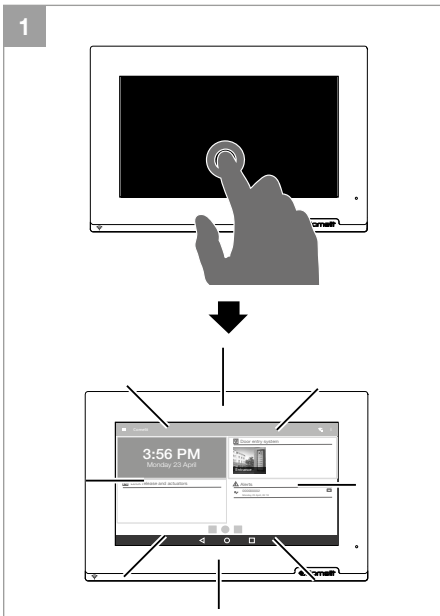
- **Master** unit (main monitor)
- **Slave** unit (secondary monitor)



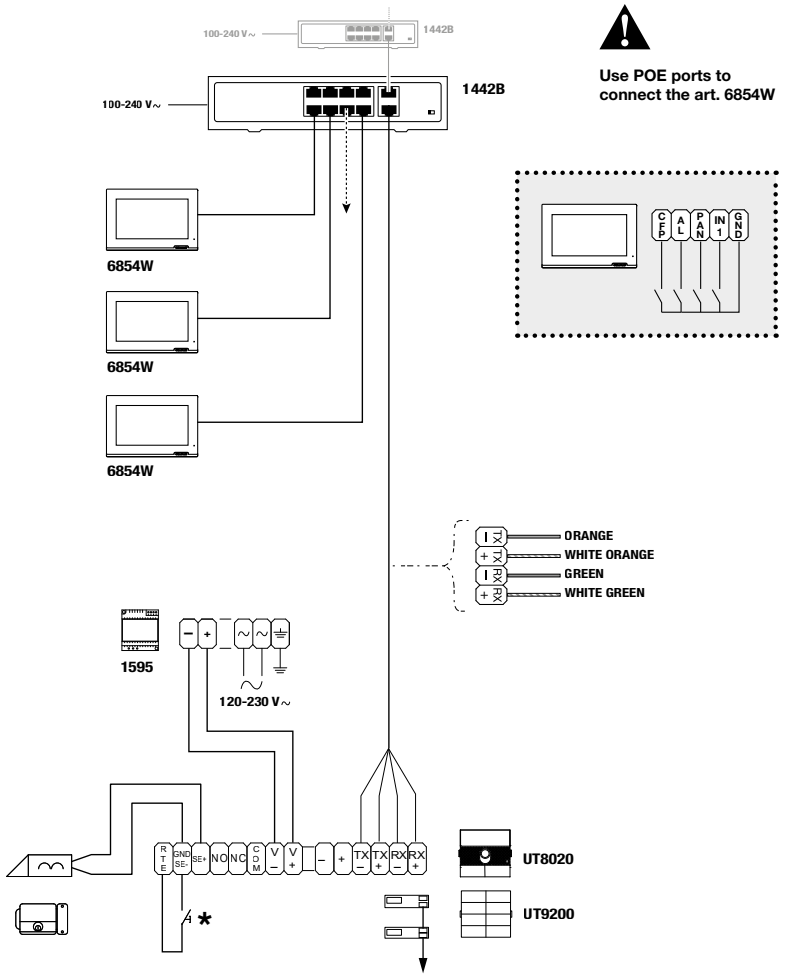
5. Press **“Complete”** to complete the configuration process.

i Customisation and programming can be carried out via the setup menus, or using the ViP Manager software which is available to download from the website pro.comelitgroup.com

Accessing the Advanced Settings menu



Basic wiring diagram

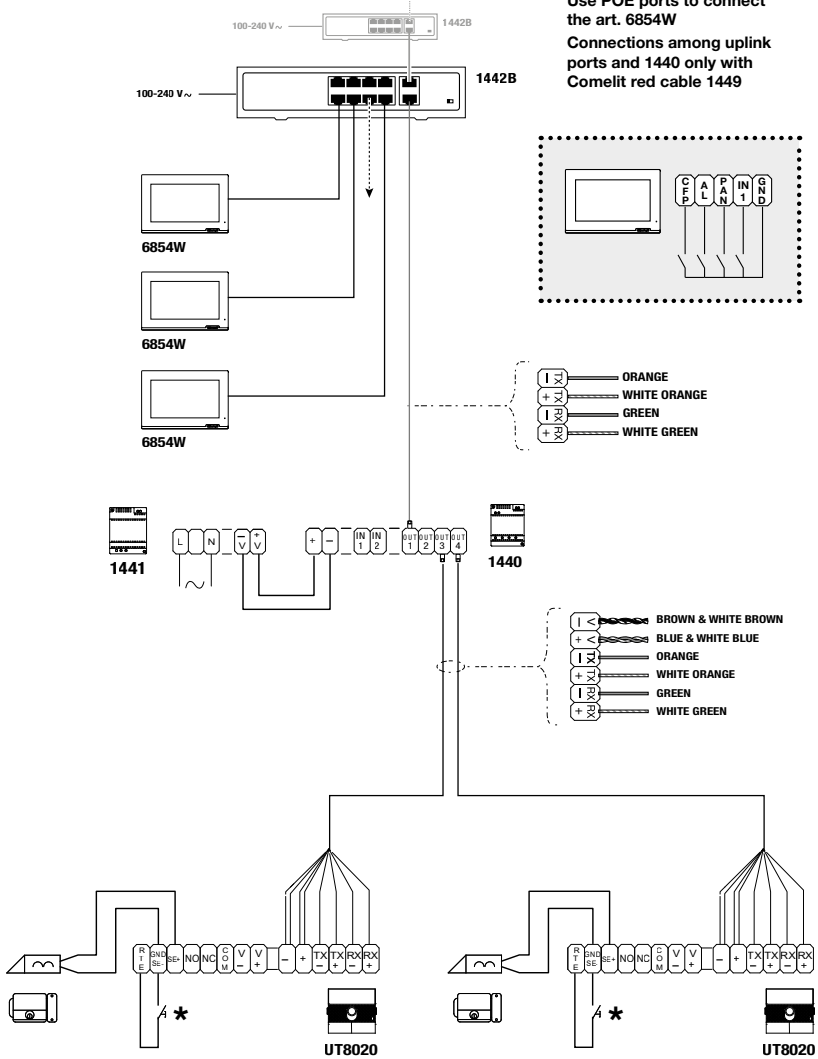


* 20 m max. Local door-opener button

Variant with second external unit

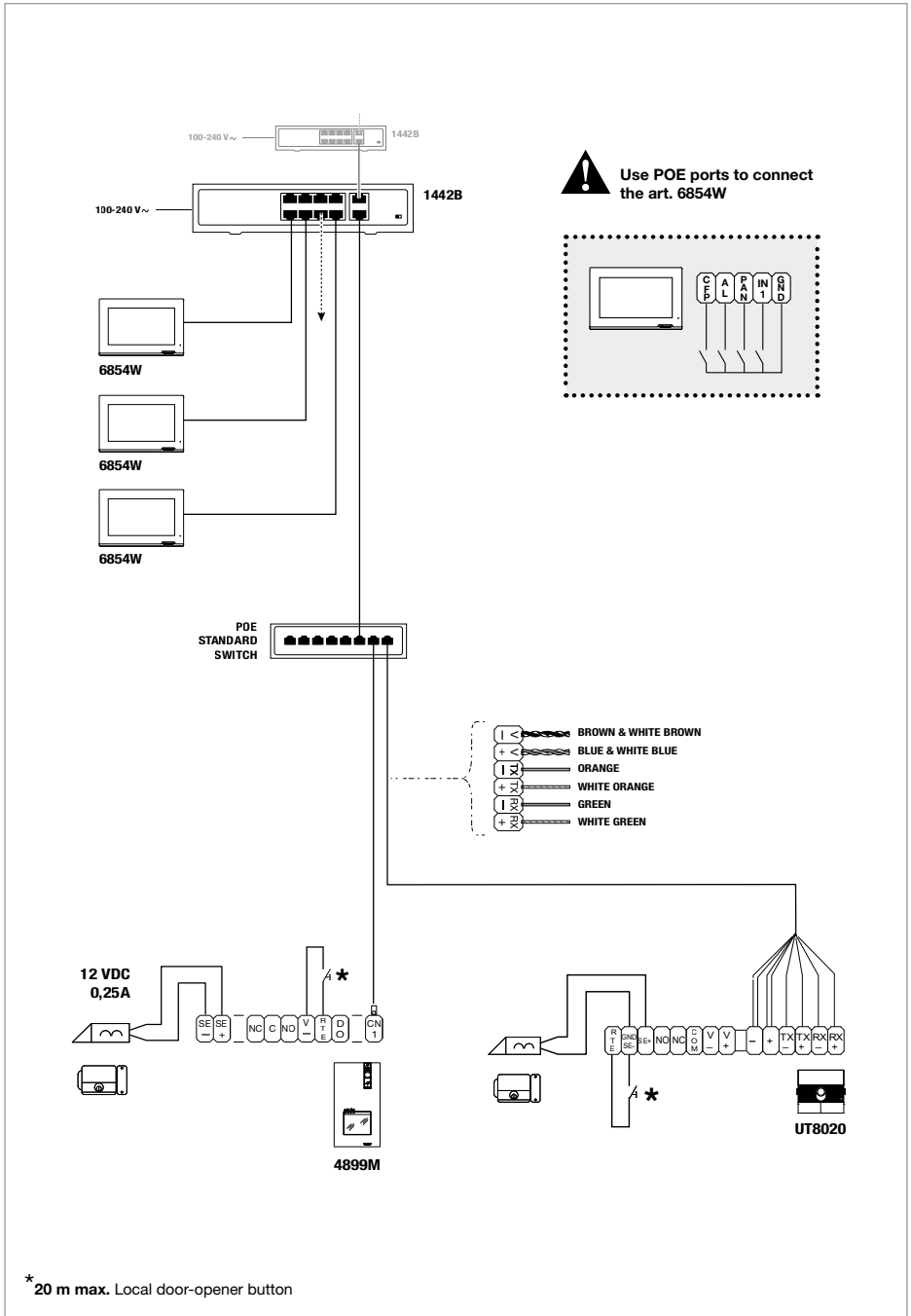


Use POE ports to connect the art. 6854W
Connections among uplink ports and 1440 only with Comelit red cable 1449



* 20 m max. Local door-opener button

Variant with PoE standard switch



COMELIT®
WITH · YOU · ALWAYS

CERTIFIED MANAGEMENT SYSTEMS



www.comelitgroup.com

Via Don Arrigoni, 5 - 24020 Rovetta (BG) - Italy



3rd edition 07/2024
code 2G40003286