

Venice
6814B, 6814W

COMELIT
WITH • YOU • ALWAYS

TECHNICAL MANUAL

Venice door entry monitor ViP system

Colour door entry monitor Venice for ViP system with 7" capacitive touch screen, resolution 1024x600, full duplex hands-free audio and SPOE power supply. Allows adjustment of the colour level, contrast, audio and ringtone volume. It is possible to customize the ringtone by choosing between different melodies. Equipped as standard with door release functions, audio enable/disable button, self activation, silent mode and other programmable functions. Manages landing calls and call repetition as standard. Compatible with H.264 video format.

Technical specifications

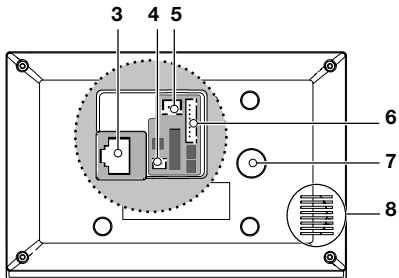
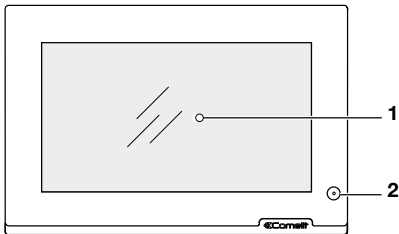
GENERAL DATA	
Product height (mm)	130
Product width (mm)	194
Product depth (mm)	15,9
Product color	White or Black
Material	Plastic
Wall-mounted	Yes
DISPLAY FEATURES	
Size (inches)	7
Aspect Ratio	16:9
Touch screen	Yes, capacitive
Resolution (pixels)	1024x600
OSD menu	Yes
Type of display	LCD
AUDIO FEATURES	
Tech. implemented	Full-Duplex
NETWORK AND COMMUNICATION PROTOCOLS	
Type of LAN network	Ethernet 10/100 Mbit/s

IP address assignment	DHCP, AUTO IP, static IP
Operating system	Linux embedded
HARDWARE FEATURES	
Number of inputs	4
Communication ports	RJ45 (Ethernet)
Ethernet ports	1
Network connection	RJ45
Type of connections/ports	1xEthernet 10/100 Mbit/s
Video encoding	H.264
ELECTRICAL CHARACTERISTICS	
Type of power supply	PoE, External power supply
Supply voltage	18-24 VDC
Supply voltage with art. POESPLITTER	12 VDC (max 1mt)
PoE power supply	SPoE (24 VDC)
Absorption in stand-by	2,5 Watt
Maximum absorption	4,5 Watt
SETTINGS	
Loudspeaker volume	Yes
Microphone volume	Yes
Ringtone volume	Yes
Screen brightness	Yes
Screen contrast	Yes
Screen colour	Yes
Screen backlight	Yes
ENVIRONMENTAL AND COMPLIANCE FEATURES	
IP protection degree	IP30
Operating temperature	-20° ÷ 55°
Operating humidity (RH max)	10% ÷ 95%
Environmental class	IV
Compliance and Certifications	RoHS II - 2011/65/UE (EN 50581:2012), EMC 2014/30/UE (EN 61000-6-1:2007, EN 61000-6-3:2007+A1:2011)

GENERAL FEATURES

Compatibility with Video Entry Comelit app	Yes
Compatibility with Comelit app (with external gateway)	Yes
Door opener	Yes
Self Activation	Yes
Intercom calls	Yes
Actuator control	Yes
CPS call	Yes
Outside door call input	Yes
Silent mode (Privacy)	Yes
Hands-free function	Yes
Priority calls	Yes

Description




- LCD Display
 - Touch screen
 - 7" 16:9
 - Pixel 1024x600
- Microphone
- RJ45 SPOE (24 VDC) to connect art. 1442B
- Outside door call input *

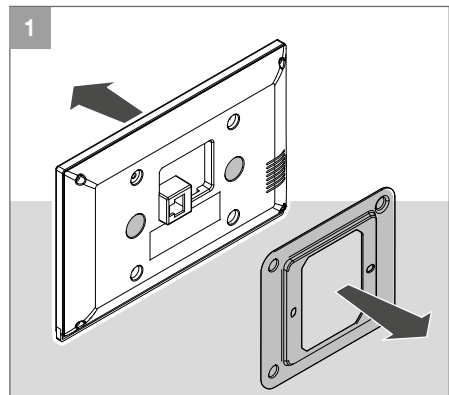
- Power input (18-24 VDC) *
as an alternative to SPOE power supply
- Input *
 - AL** - Alarm input
 - PAN** - Panic input
 - IN1** - General purpose input
 - GND** - Ground for input
 - 12V OUT** - Not used
 - A4...A8** - Not used
- 2 magnets for fixing the door entry monitor to the bracket
- Speaker

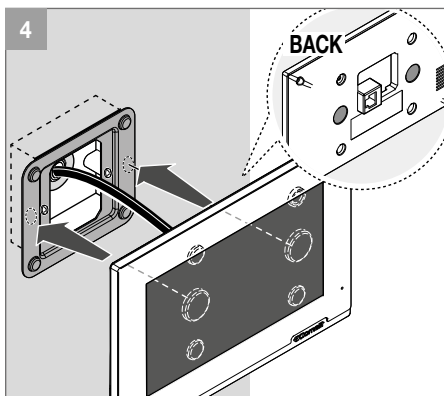
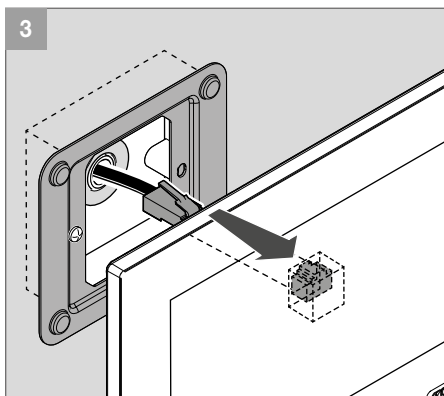
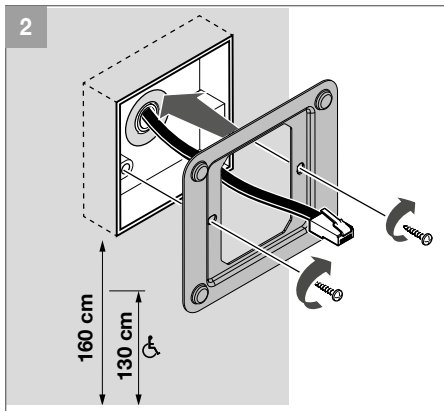
* Cable supplied

Operating distances

Power supply source	Type of power supply	Maximum distance
SPoE 24 VDC	UTP5 cat. 5 0,2 mm ² or Ø 0,5 mm AWG 24 	100 m
24 VDC	Pair of cables AWG 24	50 m
PoE with art. POESPLITTER (12 VDC)	Pair of cables AWG 26	1 m

Installation





Configuration

CONFIGURATION WIZARD

1. Select the desired language and confirm by pressing Yes and continue with guided configuration.

Language

Italiano

English

Français

Español

2. Set the ViP address for the device and choose whether you want to install the door entry monitor as:
 - Master unit (main door entry monitor)
 - Slave unit (secondary door entry monitor)

Address

ViP address programming

Master

Slave 1 - +

1	2	3
4	5	6
7	8	9
←	0	✓

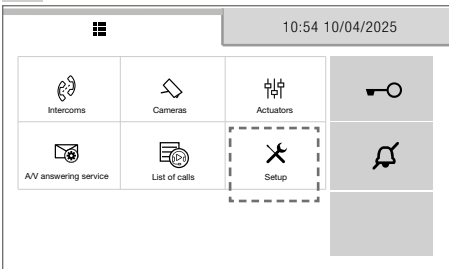
3. Press ✓ to end the configuration process.

The device will be restarted!

i Customisation and programming can be carried out via the setup menus, or using the ViP Manager software which is available to download from the website pro.comelitgroup.com

Accessing the Advanced Settings menu

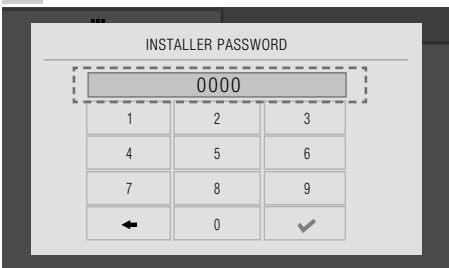
1.



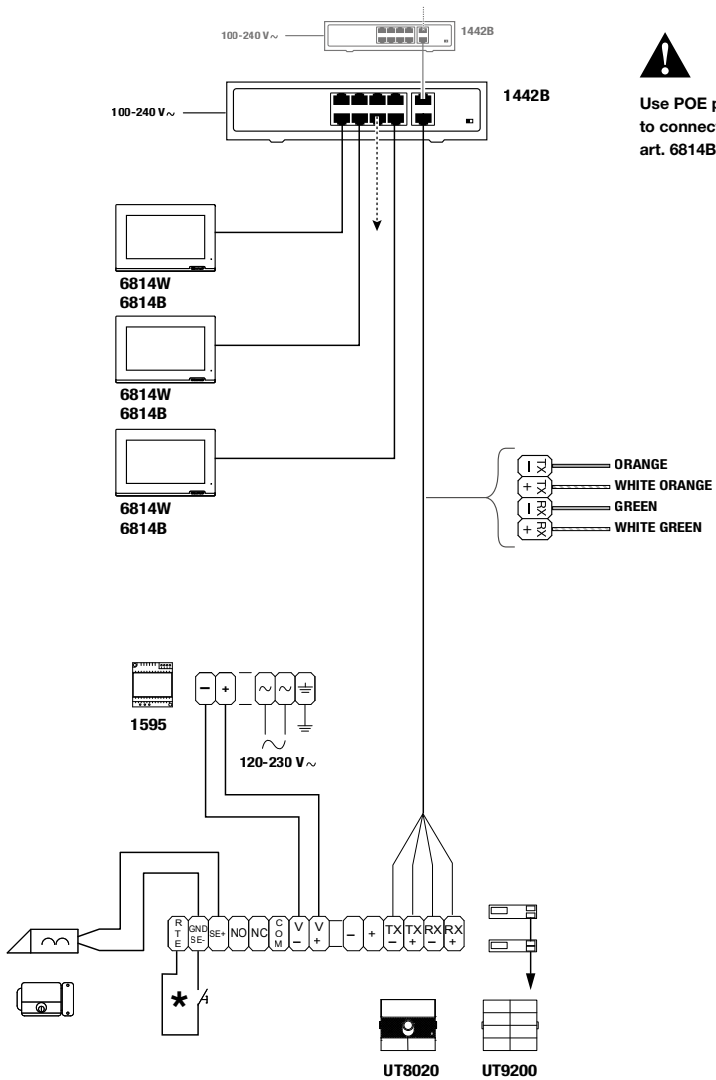
2.



3.



Basic wiring diagram



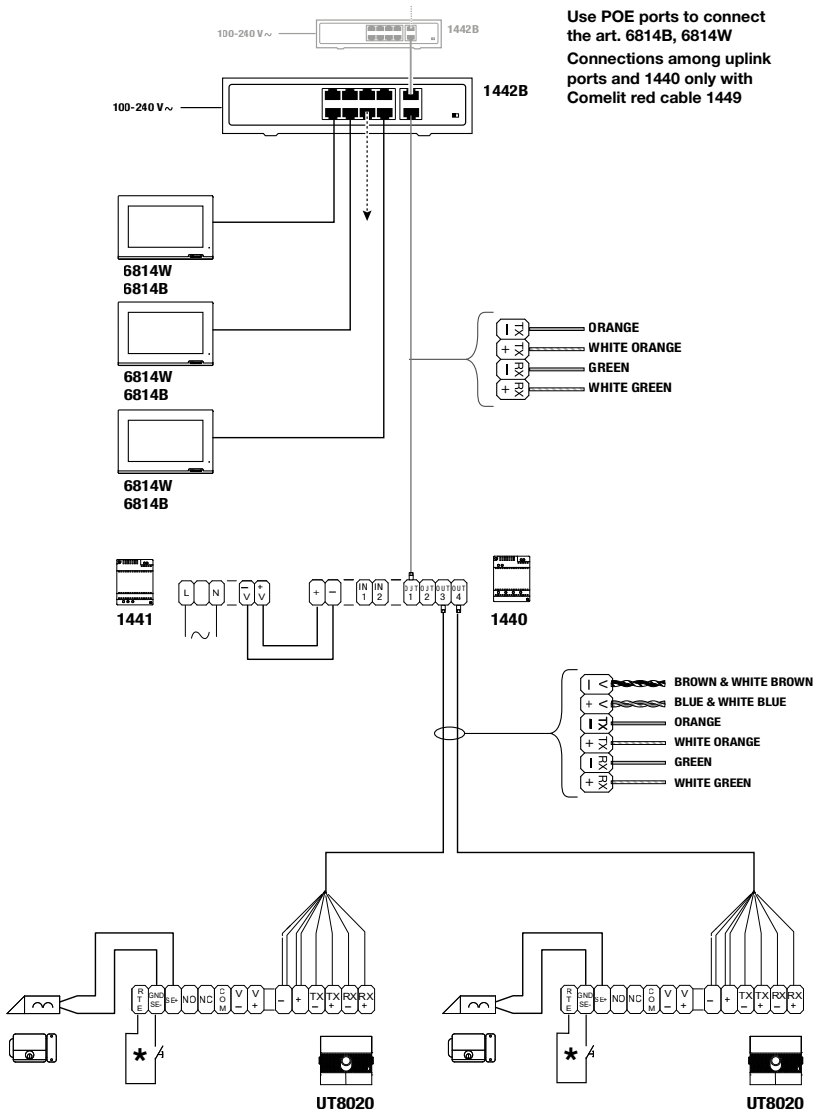
!
Use POE ports
to connect the
art. 6814B, 6814W

* 20 m max. Local door-opener button

Variant with second external unit

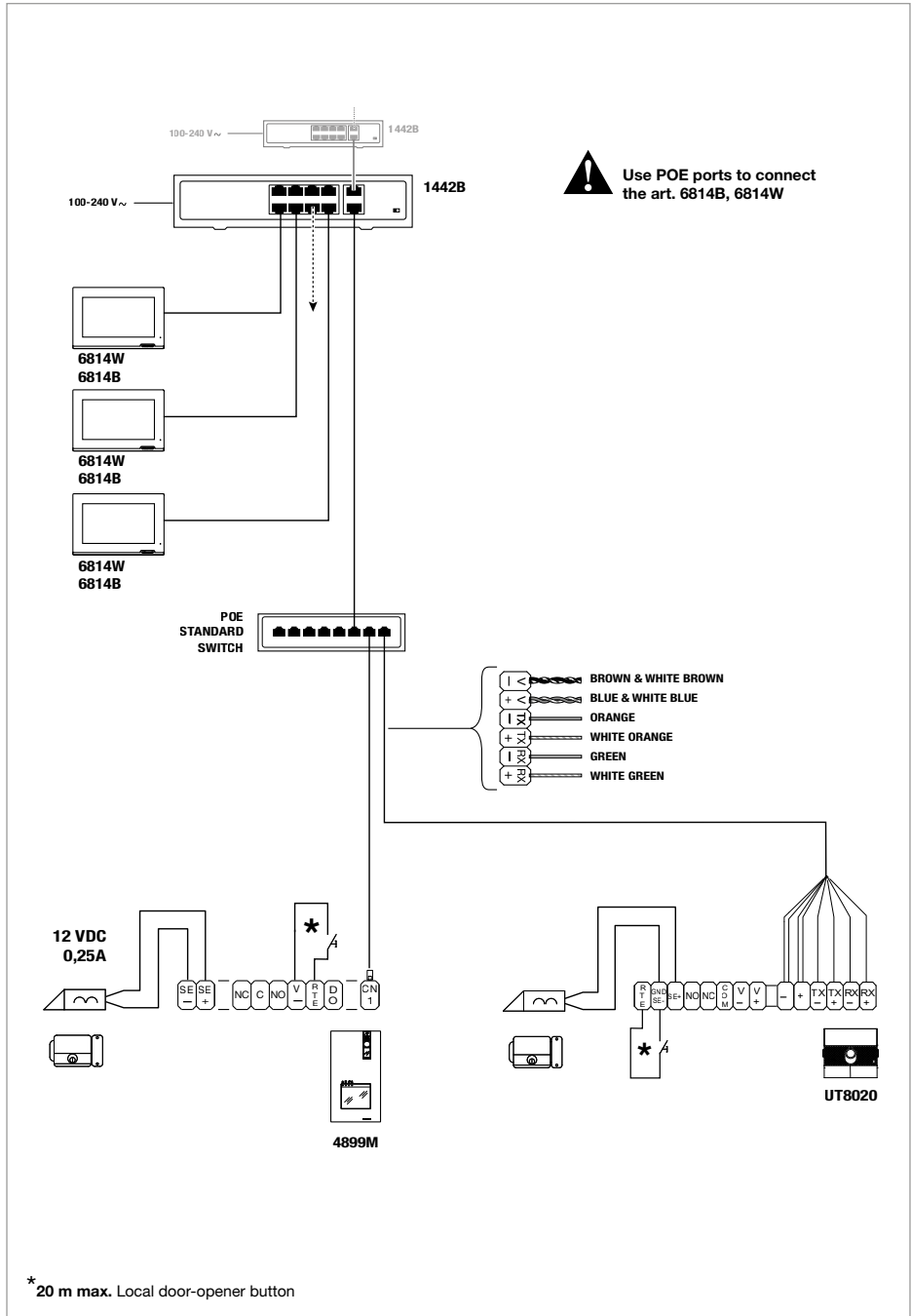


Use POE ports to connect the art. 6814B, 6814W
Connections among uplink ports and 1440 only with Comelit red cable 1449



* 20 m max. Local door-opener button

Variant with PoE standard switch



CERTIFIED MANAGEMENT SYSTEMS



www.comelitgroup.com

Via Don Arrigoni, 5 - 24020 Rovetta (BG) - Italy



8 023903 471076

3rd edition 07/2024
code 2G40003284