

## Auxiliary contacts BD

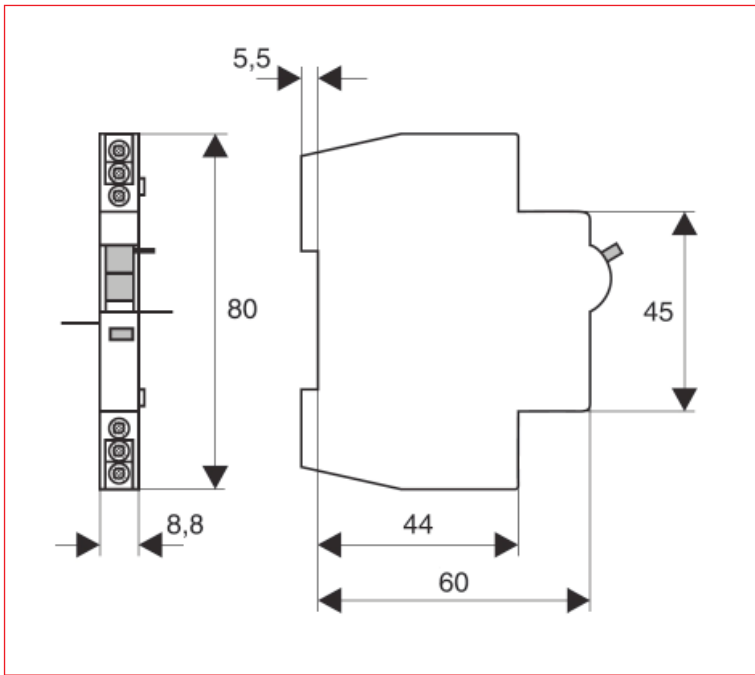
### Schrack-Info

- Version: screwed
- Width: 0.5 MW
- Retrofittable, left mountable
- Not compatible with type B, EV, F or 125 A RCCB

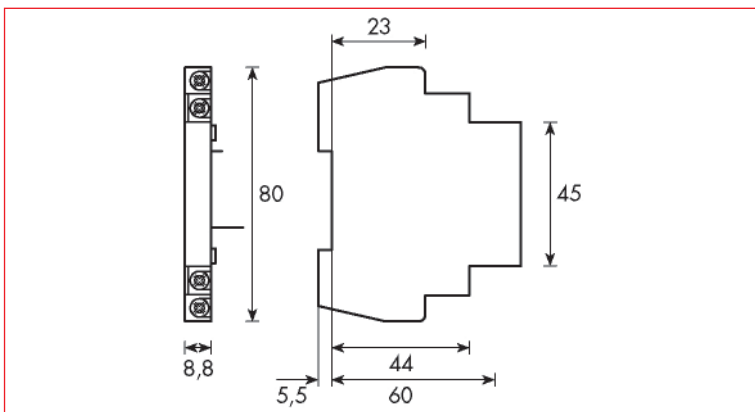
	<b>BD-H - BD900002</b>	<b>BD-HR - BD900022</b>
Contacts	1 NO + 1 NC	2 CO
Standard:	IEC/EN 60947-5-1	
	IEC/EN 62019	-
Mountingside:	left	right
Mounting:	screw-mounting	
Rated voltage $U_s$ :	440V-AC	250V-AC
Rated insulation voltage $U_i$ :	440V-AC	250V-AC
Minimum operating voltage per contact $U_{min}$ :	24V-AC/DC	5V-AC/DC
Minimum operating current $I_{min}$ :	0,5A-AC/DC	10mA-AC/DC
Rated current $I_n$ :	6A	4A
Conditional rated short circuit current $I_k$ :	1kA with BMS0-H	
Utilisation category AC 13:	6A / 250V-AC	3A / 250V-AC
	2A / 440V-AC	-
Utilisation category AC 15:	-	2A / 250V-AC
Utilisation category DC 12:	0,5A / 230V-DC	0,5A / 110V-DC
Utilisation category DC 13:	0,5A / 230V-DC	-
	4A / 60V-DC	-
Max back up fuse for short circuit protection:	6A gG/gL or BMS0-H	4A gG/gL or BMS0-H
Terminal cross-section:	0,5-2,5mm <sup>2</sup>	
Terminal tightening torque:	0,8-1Nm	

**/// Auxiliary contacts BD**

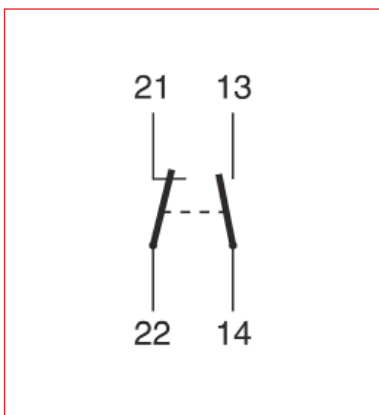
**/// BD900022 Dimensioned drawing**



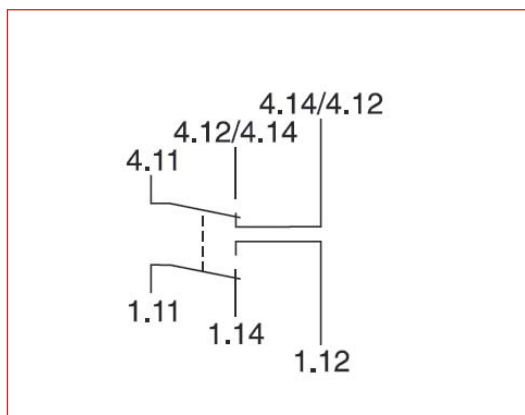
**/// BD900002 Dimensioned drawing**



**/// BD900002 Wiring diagram**



**/// BD900022 Wiring diagram**



DESCRIPTION	AVAILABLE	ORDER NO.
Auxiliary Contact, 1NO+1NC, screw on type, for RCDs		<b>BD900002</b>
Auxiliary Contact, 2CO, switchable, screw on type		<b>BD900022</b>

**Auxiliary contacts FI-D**



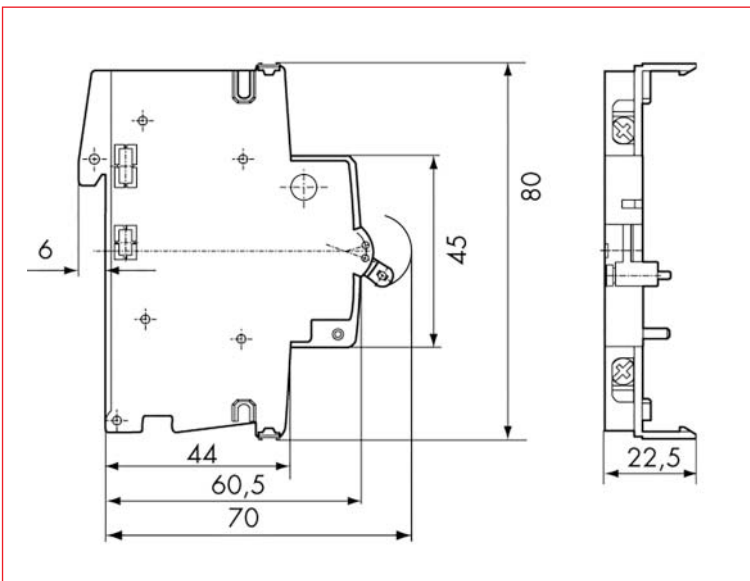
**Schrack-Info**

- For RCCB type B, EV, F or 125 A

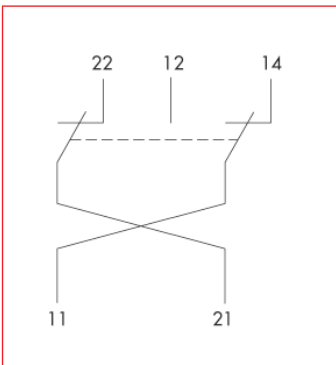
BD900030

	<b>BD900030</b>
Contacts	1 S + 1 Ö
Standard:	IEC/EN 60947-5-1
Mountingside:	left
Mounting:	snap-on
Rated voltage $U_s$ :	230V-AC
	110V-DC
Minimum operating voltage per contact $U_{min}$ :	24V-AC/DC
Minimum operating current $I_{min}$ :	0,5A-AC/DC
Rated current $I_{in}$ :	6A-AC
	1A-DC
Max back up fuse for short circuit protection:	6A gG/gL or BMS0-H
Terminal cross-section:	1-1,5 mm <sup>2</sup>
Terminal tightening torque:	max. 0,8Nm

**Dimensions**



**Wiring diagram**



DESCRIPTION	AVAILABLE	ORDER NO.
1CO + 1NC for FI-D 125 A and FI-D /B		<b>BD900030</b>