

## ■ MONTAGEANLEITUNG / INSTRUCTION SHEET: HSER0120GS

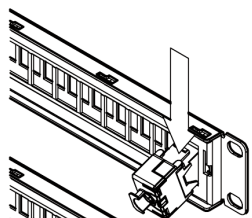


FIGURE 1

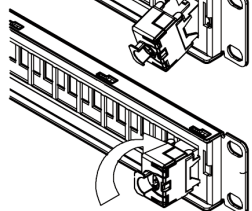


FIGURE 2

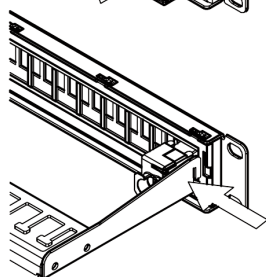


FIGURE 3

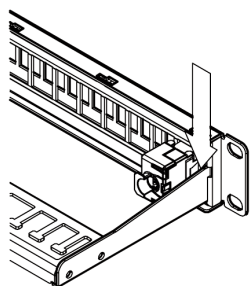


FIGURE 4

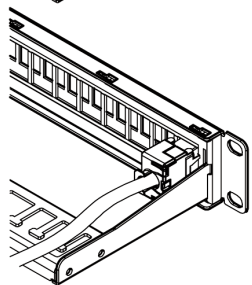


FIGURE 5

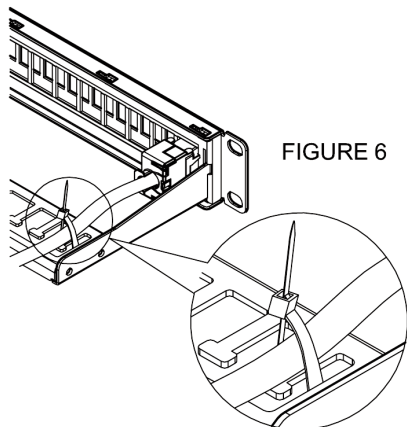


FIGURE 6

1. Buchse einclippen. /  
Mount the jack on the panel, as shown in figure 1 and 2.
  
2. Kabelführung in die Öffnung einführen. /  
To mount the cable management, align the bar to the opening of the panel, as shown in figure 3.
  
3. Kabelführung durch Niederdrücken fixieren. /  
Push the cable management bar to fix the management on the panel, as shown in figure 4 and 5.
  
4. Kabel mit Kabelbinder an der Kabelführung fixieren. /  
Use a cable tie to fix the cable on the cable management, as shown in figure 6.