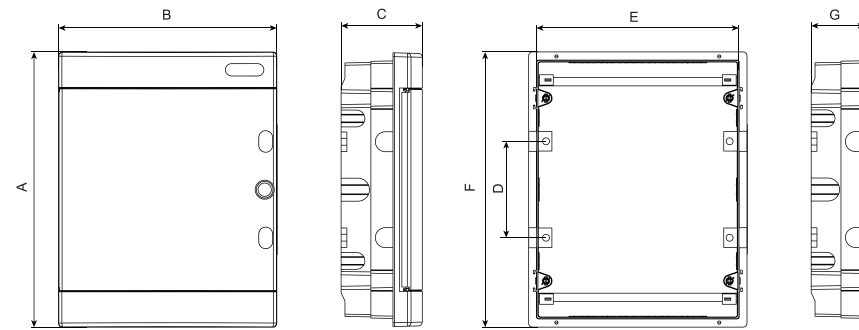


GP

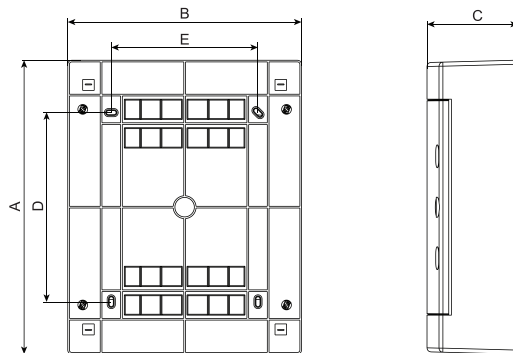


SCHRACK

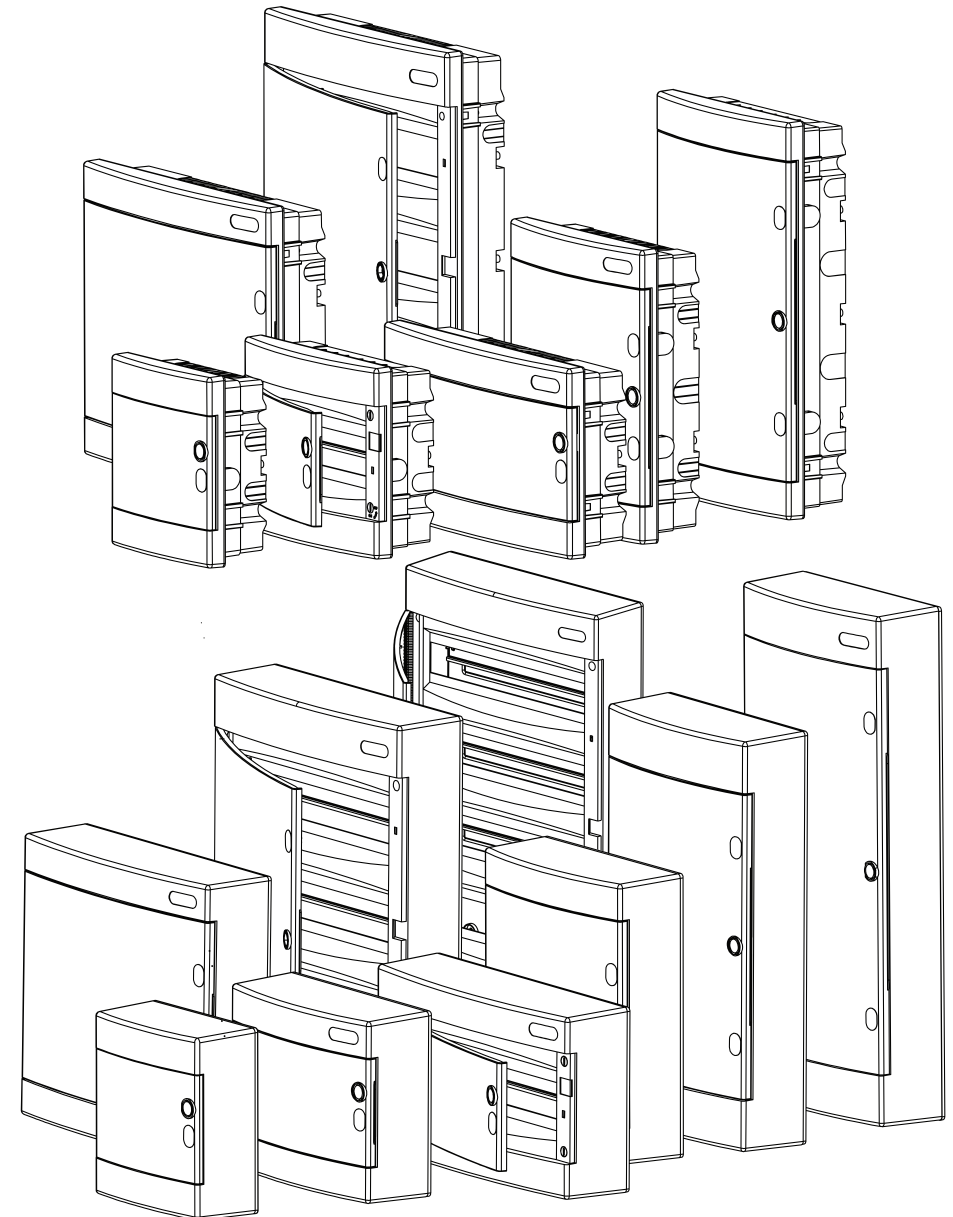
TECHNIK

Seybelgasse 13, A - 1230 Vienna, Austria
www.schrack.com

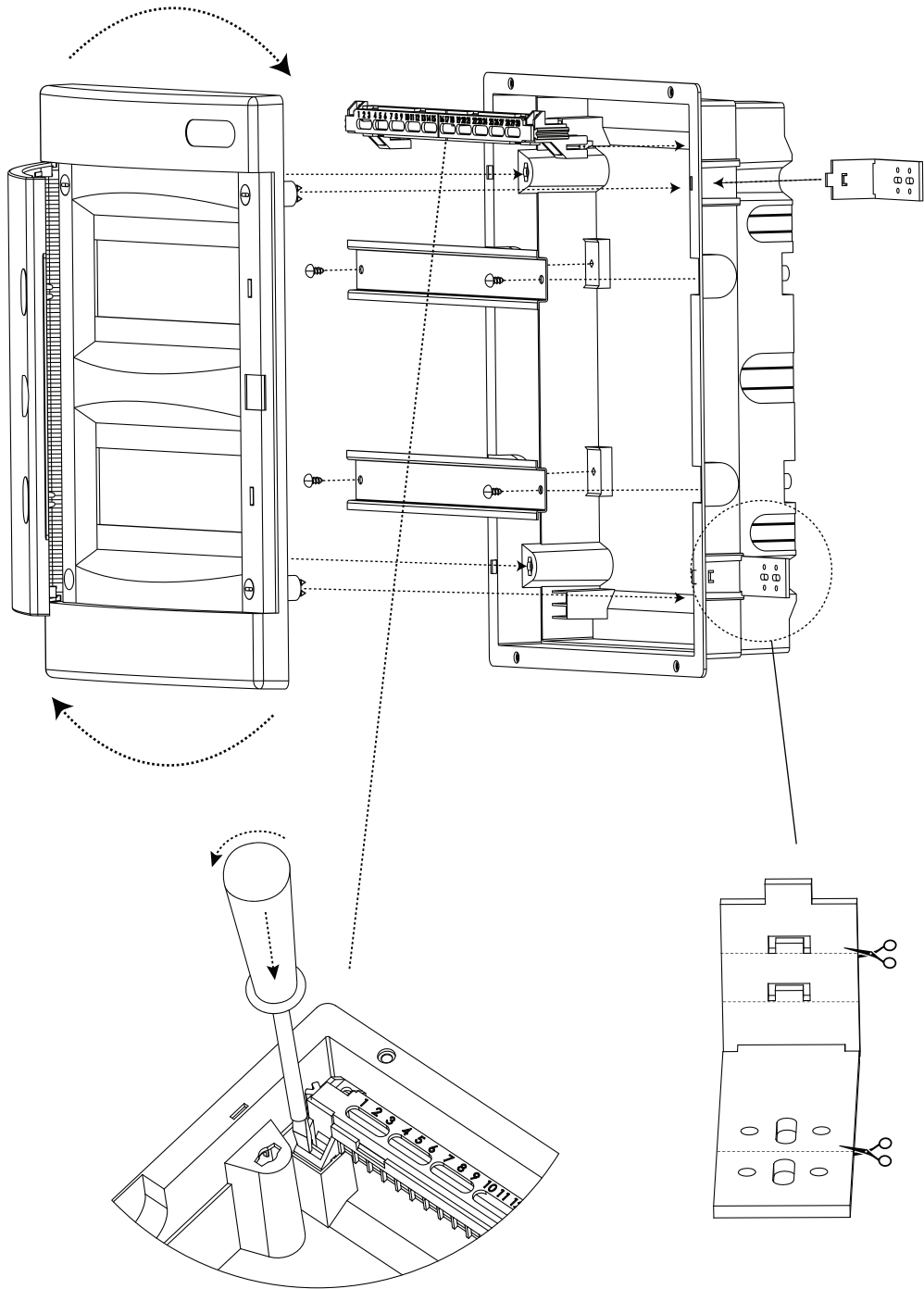
DIN RAIL MOUNTING	A	B	C	D	E	F	G	Pde	Static loa
U4C / U4CW	232 mm	139 mm	99 mm	-	123 mm	216 mm	69 mm	> 10 W	520 g
U8C / U8CW	232 mm	211 mm	99 mm	-	201 mm	212 mm	68 mm	> 16 W	1040 g
U12C / U12CW	232 mm	283 mm	106 mm	-	273 mm	212 mm	68 mm	> 25 W	1560 g
U24CC / U24CW	357 mm	283 mm	106 mm	125 mm	273 mm	336 mm	68 mm	> 30 W	1560 g
U36C / U36CW	482 mm	283 mm	106 mm	125 mm	273 mm	462 mm	68 mm	> 30 W	1560 g
U18C / U18CW	232 mm	392 mm	106 mm	-	382 mm	212 mm	68 mm	> 25 W	2340 g
U2x18C / U2x18CW	357 mm	392 mm	106 mm	125 mm	382 mm	336 mm	68 mm	> 30 W	2340 g
U3x18C / U3x18CW	522 mm	392 mm	106 mm	125 mm	382 mm	502 mm	68 mm	> 35 W	2340 g



DIN RAIL MOUNTING	A	B	C	D	E	Pde	Static load
N4C / N4CW	235 mm	143 mm	98 mm	127 mm	46 mm	> 10 W	520 g
N8C / N8CW	236 mm	287 mm	102 mm	107 mm	180 mm	> 16 W	1040 g
N12C / N12CW	236 mm	287 mm	112 mm	107 mm	180 mm	> 25 W	1560 g
N24C / N24CW	361 mm	287 mm	112 mm	232 mm	180 mm	> 30 W	1560 g
N36C / N36CW	485 mm	287 mm	112 mm	357 mm	180 mm	> 30 W	1560 g
N48C / N48CW	652 mm	287 mm	112 mm	482 mm	180 mm	> 35 W	1560 g
N18C / N18CW	236 mm	396 mm	112 mm	107 mm	289 mm	> 25 W	2340 g
N2x18C / N2x18CW	361 mm	396 mm	112 mm	232 mm	289 mm	> 30 W	2340 g
N3x18C / N3x18CW	526 mm	396 mm	112 mm	357 mm	289 mm	> 35 W	2340 g
N4x18C / N3x18CW	651 mm	396 mm	112 mm	482 mm	289 mm	> 40 W	2340 g

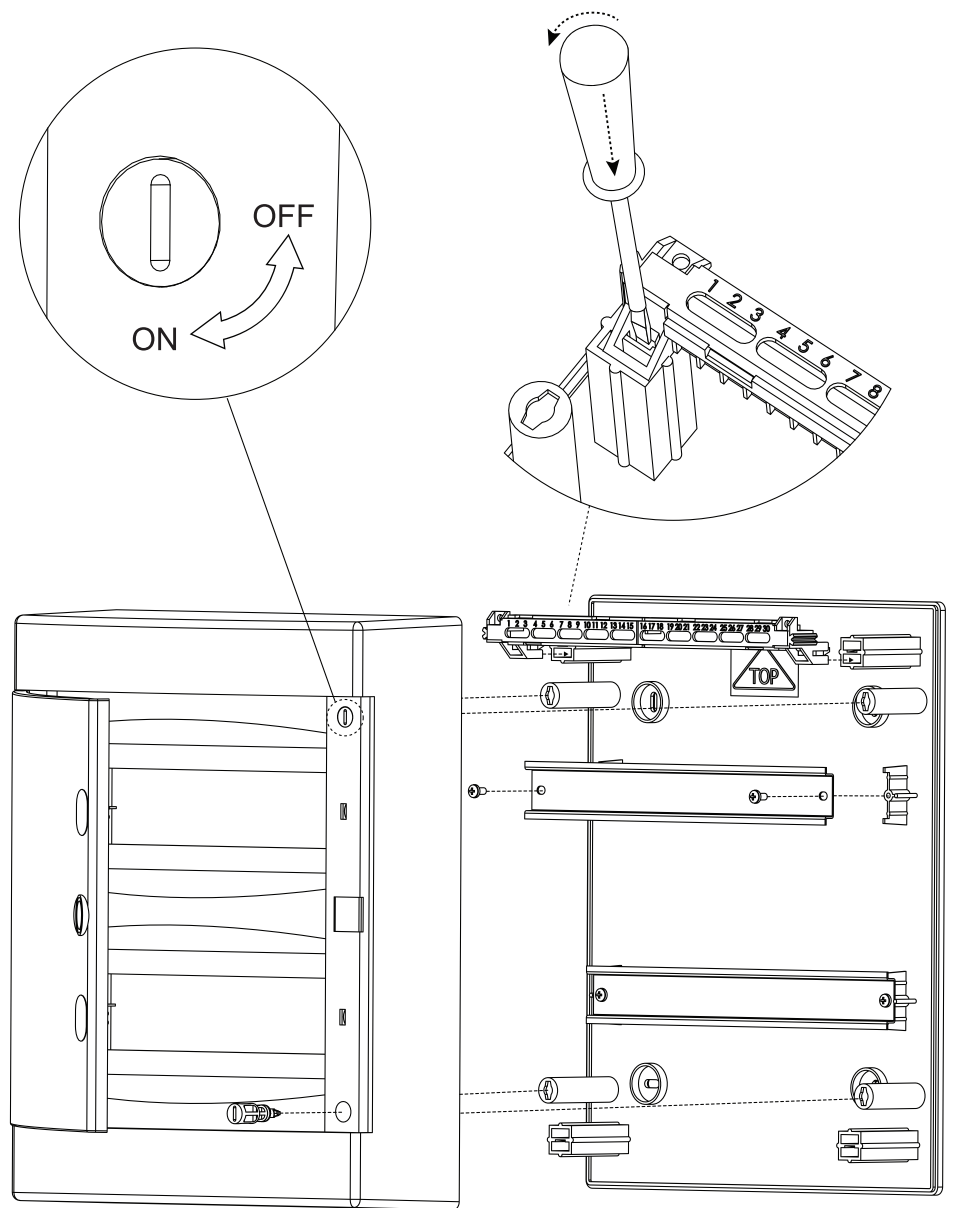


For indoor locations ($\leq 50\%$ RH at max. $+40^\circ\text{C}$ or for example 90% RH at $+20^\circ\text{C}$)
 Temperature range: -25°C ... $+60^\circ\text{C}$, Rating Voltage AC 400 V; IP40; Class II; IK08
 According to: IEC 60670; IEC 62208



DIN RAIL MOUNTING

Ed.1 - 04/2020



DIN RAIL MOUNTING