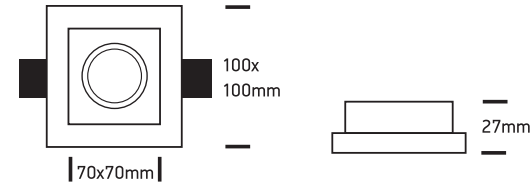
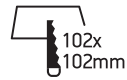


# INSTALLATION MANUAL

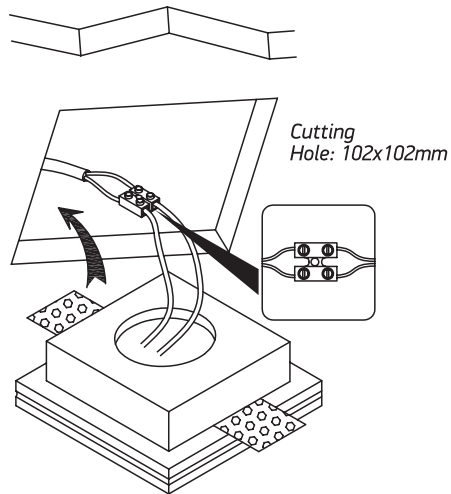
50105GT1



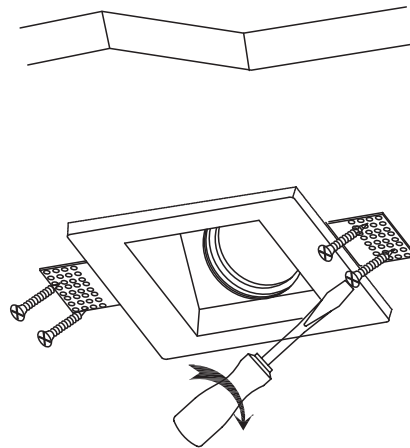
100-240V | GU10 | 50W | IP20 | Gypsum



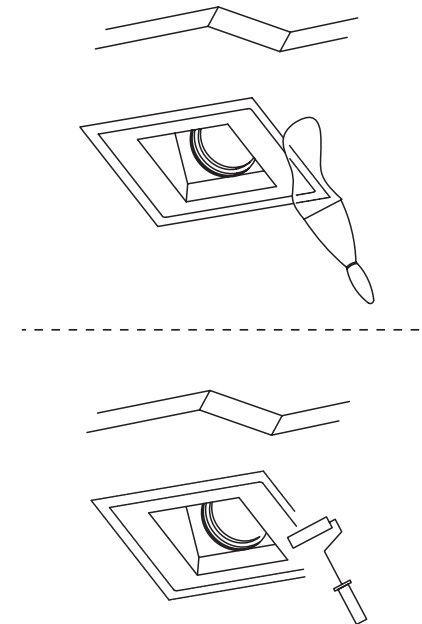
A



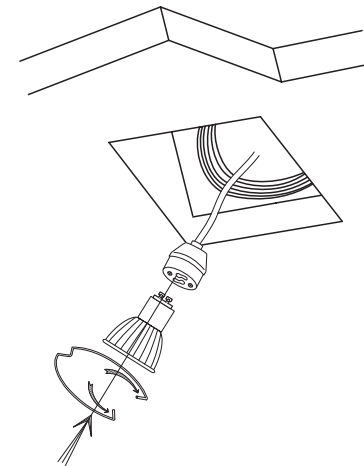
B



C



D



## Warnings:

1. Make sure that the product is installed properly before connecting to electricity.
2. Do not cover the fitting.
3. Maintenance and installation should only be carried out by a professional electrician.