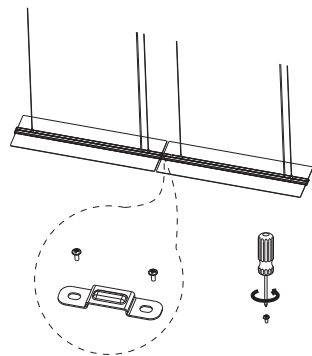


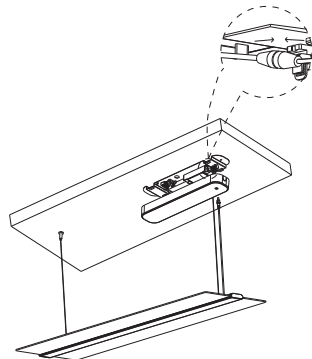
Step6

For splicing version only: Remove end cap screws, then align the connector with screw holes.



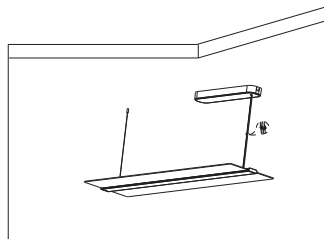
Step7

Fix the steel wire into the end connector, connect male and female plug, and then cover the mounting box.



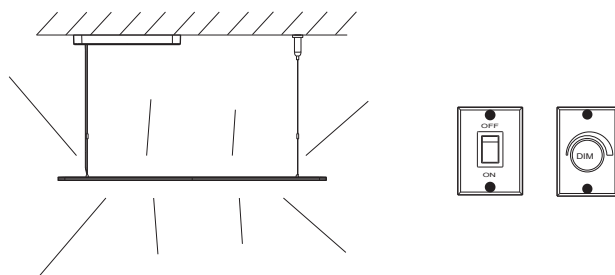
Step8

Adjust a suitable length for steel wire, fix the wires with cable clip.



Step9

Switch on.

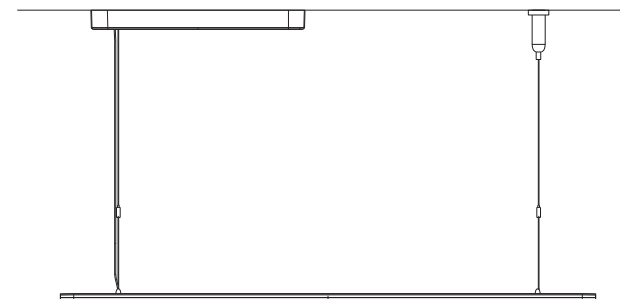


LED PANEL LIGHT USER GUIDE



Series Lano Fly ID LED LIUS0001

Schrack Technik GmbH
Seybelgasse 13
AT-1230 Vienna
www.schrack.com



- EN Danger, installation by electricians only
- DE Lebensgefahr, Montage nur durch Elektrofachkraft
- SK Nebezpečenstvo úrazu elektrickým prúdom! Inštaláciu zariadenia môže vykonávať len kvalifikovaný elektrikár.
- PL Zagrożenie życia, montaż tylko przez wykwalifikowanego elektryka
- CZ Nebezpečí ohrožení života, instalaci může provádět pouze osoba znalá ve smyslu vyhl. 50/78 Sb
- HU Életveszély, a szerelést csak szakképzett villanyszerelő végezheti
- BA Opasno po život, instalaciju može izvoditi samo stručna osoba
- SI Smrtno nevarno, vgradnja dovoljena samo pooblaščenim osebam.
- HR Opasno po život, instalaciju može izvoditi samo stručna osoba
- RO Pericol, montaj realizat doar de electricieni calificati
- RS Опасност, инсталирају само електричари
- BG Внимание, изисква се монтаж от електротехник
- RU Опасность для жизни, только при установке электрика
- HL Levensgevaar, installatie enkel door gekwalificeerde elektricien
- FR Danger de mort, installation uniquement par électricien qualifié
- IT Pericolo di morte, installazione solo tramite un'electricista
- ES Peligro de muerte, sólo a través de electricista instalador

This product contains a light source of energy efficiency class D
Dieses Product enthält eine Lichtquelle der Energieeffizienzklasse D

Safety Instructions

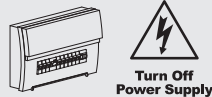
To ensure correct function and safety, please read and follow all instructions carefully before using the product:

1. Turn off power before installation or before doing any maintenance work.
2. Do not install any luminaire near the heat source.
3. For Indoor use only. Do not install this luminaires in damp or wet locations.
4. Do not exceed the nominal supply voltage or amperage ratings.
5. Dimmable version could be compatible with a wide range of recommended TRIAC dimmers.
6. All wiring and installation of the light fitting must adhere to local and national wiring rules.
7. Take care not to pull any electrical wires during unpacking as this may damage the connection.
8. Lay out all the components on a smooth surface and make sure there are no components missing before assembling.
9. To avoid injury or damage to the fitting, please ensure that power leads and screws are secure before connecting the power.
10. Please keep instructions for future reference.

Installation Procedure

WARNING:

1. Switch off before installation.
2. Switch on only after complete installation and examination of the circuit.



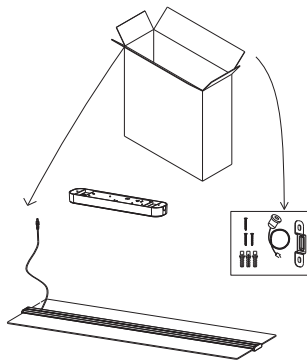
CAUTION:

Make sure that the mounting surface or structural member used for installation can support the weight of LED Panel.

Suspended

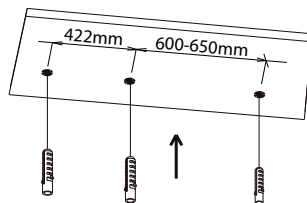
Step1

Take out panel and accessory pack from box.



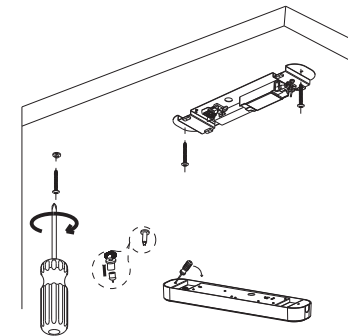
Step2

Knock the plastic anchor into ceiling.



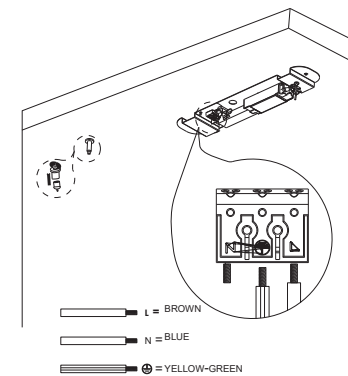
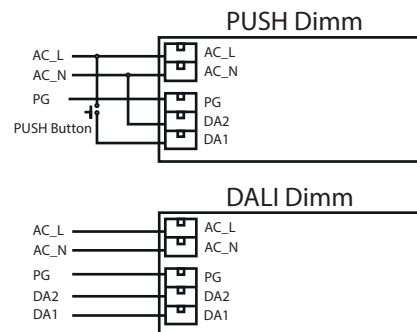
Step3

Open the driver box, fasten the bracket and self-lock device on the ceiling.



Step4

Connect AC wire correctly, rotate the steel wire end part and fix it with the bracket.



Step5

Fix steel wires in panel.

