

DATA SHEET

AOL 100 LED 5K black

Order description

AOL 100 LED 5K black

Item number

EL10750014

GTIN

4015120750014



Product description

- Automatic light with built-in motion detector
- Design lamp made of die-cast aluminium and plastic
- 14 W, light colour approx. 5000 K white
- 140° field of detection, range up to 10 m at an installation height of 1.8 m

Technical data

| GENERAL | |
|--|--|
| Conformity | CE, RoHS, WEEE |
| Warranty | 3-year |
| ATTACHMENT | |
| Installation type | Surface mounting |
| Installation position | Wall |
| HOUSING | |
| Dimensions | length 143 mm x width 104 mm x Height/Depth 205 mm |
| Weight | 567 g |
| Material | Aluminium and UV-stabilised plastic |
| Protection type | IP55 |
| Permissible ambient temperature | -25 °C...+50 °C |
| Colour | Black, similar to RAL 9005 |
| Connection | 2,5 mm ² / 1,5 mm ² |
| Glow wire test in accordance with IEC 60695-2-10 | 650 °C - 30 s |
| ELECTRICAL VERSION | |
| Protection class | II |
| Nominal voltage | 230 V / 50 Hz |
| Stand-by consumption | 0,5 W |

LIGHT

| | |
|---------------------------------|----------|
| Diffusor | opal |
| Light emission | direct |
| Beam angle | 90 ° |
| Flicker factor | <10 % |
| Rated output | 14 W |
| Luminous Flux (light) | 770 lm |
| Luminous efficacy | 55 lm/W |
| Colour temperature | 5000 K |
| Colour rendering index Ra | > 70 |
| Rated life time L70B10 at 25 °C | 80000 h |
| Rated life time L70B50 at 25 °C | 100000 h |
| Rated life time L80B10 at 25 °C | 50000 h |
| Rated life time L80B50 at 25 °C | 65000 h |
| Rated life time L90B10 at 25 °C | 25000 h |
| Rated life time L90B50 at 25 °C | 30000 h |
| Energy efficiency class | A++ to A |

SENSORS

| | |
|---------------------------------|-------------------|
| Detection angle | 140° |
| Detection range diagonally | 10 m |
| Field of detection | 31 m ² |
| Recommended installation height | 1,8 m |
| Level of brightness | 5 - 1000 lx |

DATA SHEET

AOL 100 LED 5K black

Order description

AOL 100 LED 5K black

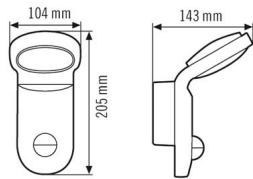
Item number

EL10750014

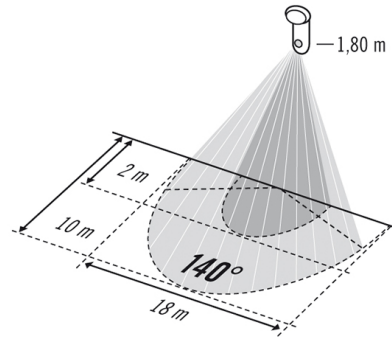
GTIN

4015120750014

Scale drawing

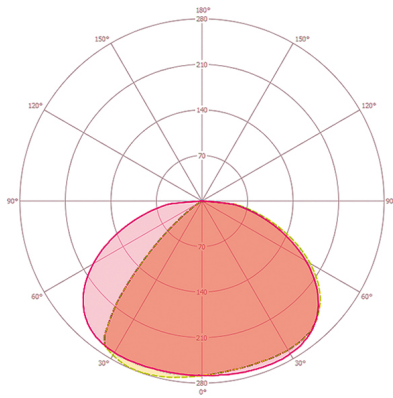


Field of detections

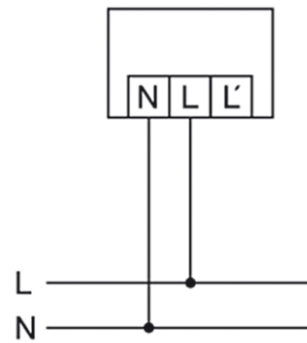


- Head-on to detector
- Passage area / diagonally to detector

Light distribution

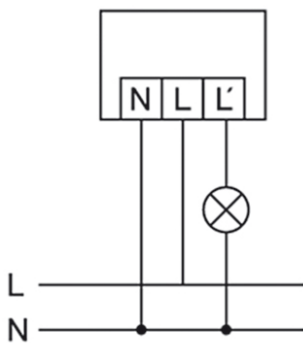


Circuit diagram



Standard operation

Circuit diagram



Standard operation with additional connection of external loads