

Series Lano PL ID LED LIUS0002

Schrack Technik GmbH
Seybelgasse 13
AT-1230 Vienna
www.schrack.com



- EN Danger, installation by electricians only
 DE Lebensgefahr, Montage nur durch Elektrofachkraft
 SK Nebezpečenstvo úrazu elektrickým prúdom! Inštaláciu zariadenia môže vykonávať len kvalifikovaný elektrikár.
 PL Zagrożenie życia, montaż tylko przez wykwalifikowanego elektryka
 CZ Nebezpečí ohrožení života, instalaci může provádět pouze osoba znalá ve smyslu vyhl. 50/78 Sb
 HU Életveszély, a szerelést csak szakképzett villanyszerelő végezheti
 BA Opasno po život, instalaciju može izvoditi samo stručna osoba
 SI Smrtno nevarno, vgradnja dovoljena samo pooblaščenim osebam.
 HR Opasno po život, instalaciju može izvoditi samo stručna osoba
 RO Pericol, montaj realizat doar de electricieni calificati
 RS Opasnost, instaliraju samo električari
 BG Внимание, изисква се монтаж от електротехник
 RU Опасность для жизни, только при установке электрика
 HL Levensgevaar, installatie enkel door gekwalificeerde elektricien
 FR Danger de mort, installation uniquement par électricien qualifié
 IT Pericolo di morte, installazione solo tramite un'elettricista
 ES Peligro de muerte, sólo a través de electricista instalador

Safety Instructions

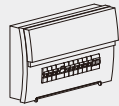
To ensure correct function and safety, please read and follow all instructions carefully before using the product:

1. Turn off power before installation or before doing any maintenance work.
2. Do not install any luminaire near the heat source.
3. For Indoor use only. Do not install this luminaires in damp or wet locations.
4. Do not exceed the nominal supply voltage or amperage ratings.
5. Dimmable version could be compatible with a wide range of recommended TRIAC dimmers.
6. All wiring and installation of the light fitting must adhere to local and national wiring rules.
7. Take care not to pull any electrical wires during unpacking as this may damage the connection.
8. Lay out all the components on a smooth surface and make sure there are no components missing before assembling.
9. To avoid injury or damage to the fitting, please ensure that power leads and screws are secure before connecting the power.
10. Please keep instructions for future reference.

Installation Procedure

WARNING

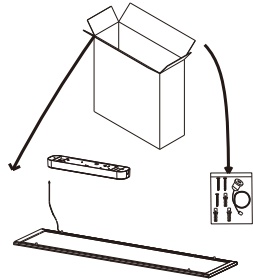
1. Switch off before installation.
2. Switch on only after complete installation and examination of the circuit.
3. Professional electrician for installation and maintenance only.



Turn Off
Power Supply

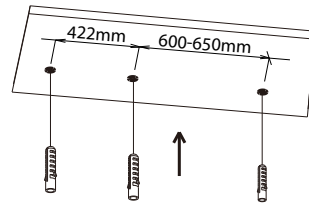
Turn Off power supply before starting any installation. Read instructions & check you have all the tools & accessories to complete the installation correctly.

Step 1



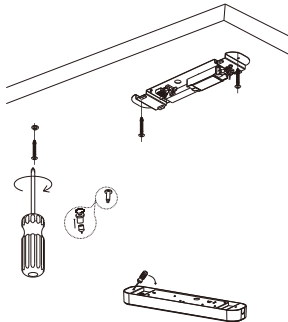
Take out panel and accessory pack from box.

Step 2



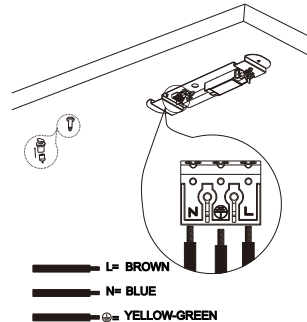
Knock the plastic anchor into ceiling.

Step 3



Open the driver box, fasten the bracket and self-lock device on the ceiling.

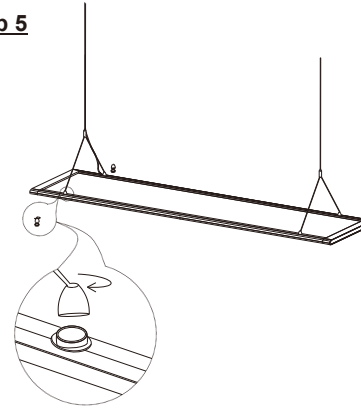
Step 4



Connect AC wire correctly, rotate the steel wire end part and fix it with the bracket.

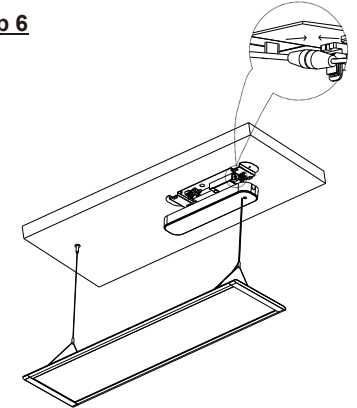
— L= BROWN
— N= BLUE
— PE= YELLOW-GREEN

Step 5



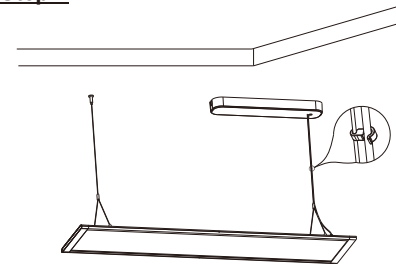
Connect two "Y" shape steel wire with panel.

Step 6



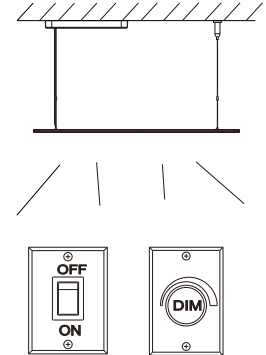
Fix the steel wire into the end connector, connect male and female plug, and then cover the mounting box.

Step 7



Adjust a suitable length for steel wire, fix the wires with cable clip.

Step 8



Switch on.

Warning:

Input wire diameter $\geq 0.75\text{mm}^2$;
Product modification and improper installation are not valid for warranty!

This product contains a light source of energy efficiency class E
Dieses Product enthält eine Lichtquelle der Energieeffizienzklasse E