

SIEMENS

Switch / Dimm Act., 2x DALI Broadcast
 Schalt- / Dimmaktor, 2x DALI Broadcast
 Actionneur de commutation / Variation, 2x DALI Broadcast
 Actuador de conmutación/regulación, 2x DALI Broadcast
 Attuatore commutazione/dimmerizzazione, 2x DALI Broadcast
 Atuador de regulação da intensidade da luz, 2x DALI Broadcast
 Dimmer Aktivatör, 2x DALI Broadcast
 Модуль переключения и диммирования, 2x DALI Broadcast
 Schakel-/dim actor, 2x DALI Broadcast
 开关 - 调光执行器, 2x DALI Broadcast



5WG1525-1DB11



E464611
 C US
 LISTED



Operating Instructions Betriebsanleitung
 Instruções de Serviço İşletme kılavuzu

Notice d'utilisation
 Руководство по эксплуатации

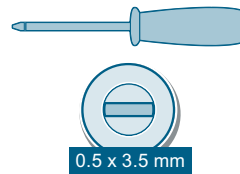
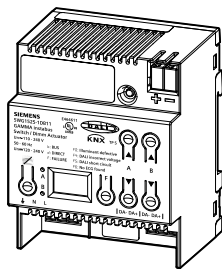
Instructivo
 Bedieningshandleiding

Istruzioni operative
 使用说明

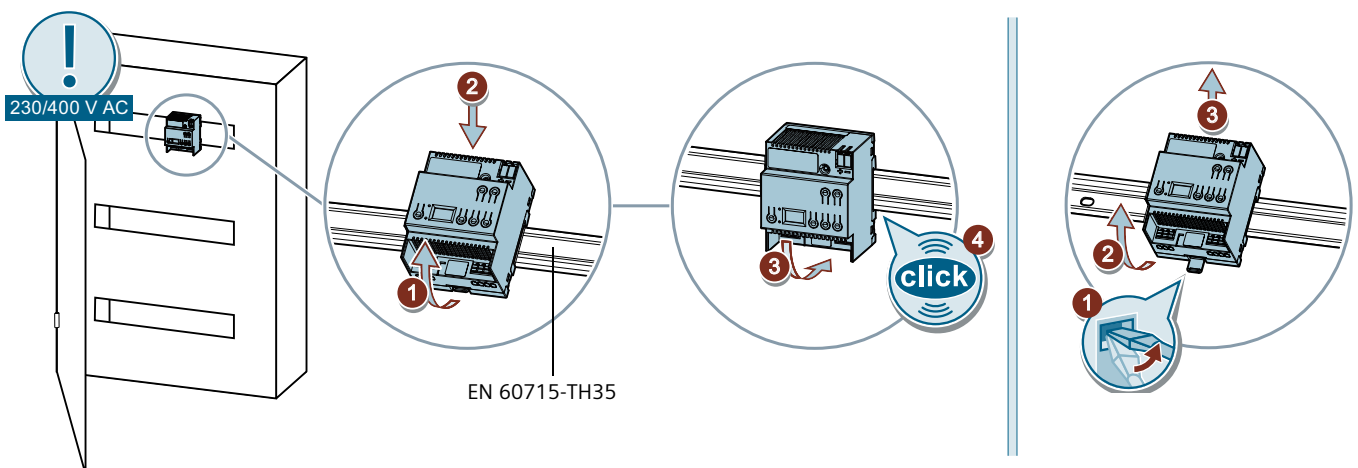


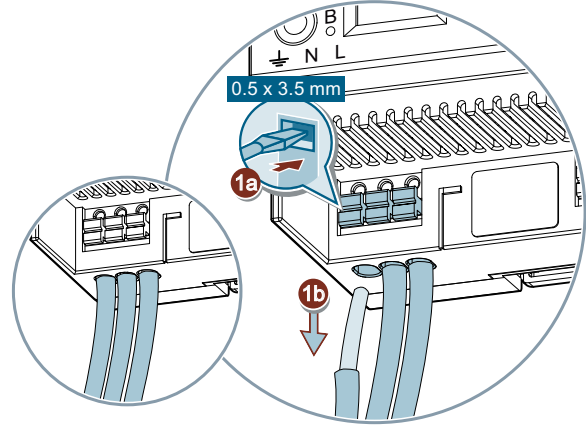
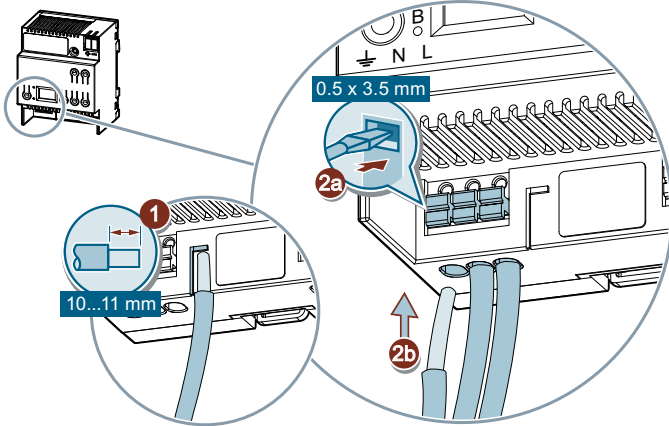
Contents / Lieferumfang / Etendue de la livraison /
 Contenido / 供货范围

Required tools / Notwendige Werkzeuge /
 Outils nécessaires / Herramientas requeridas / 必要工具

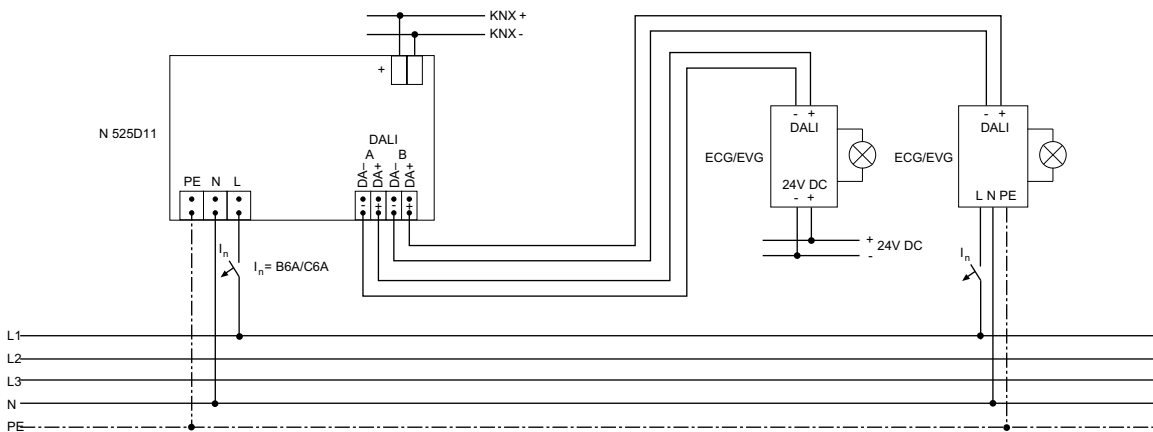
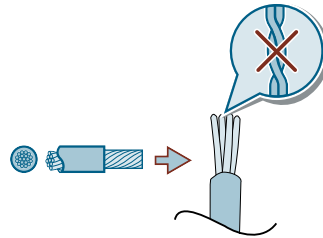


Assembly / Montage / Montage / Montaje / 安装





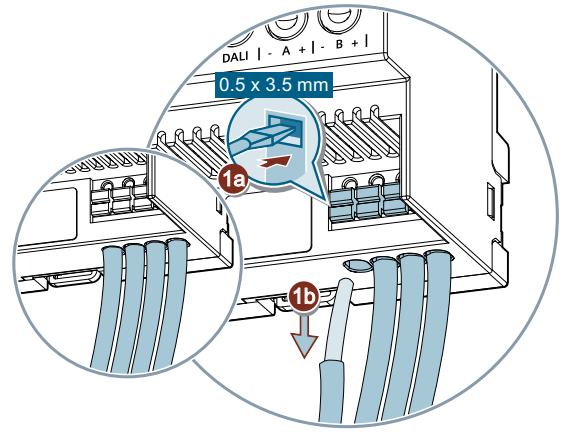
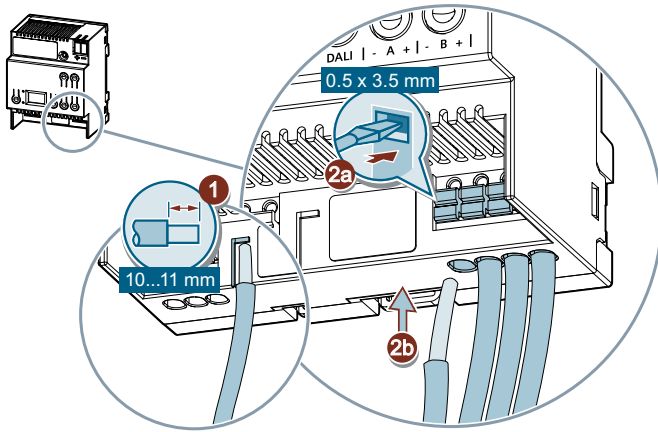
Cu	
	0.5 ... 2.5 mm ² AWG 20 (0.75 mm ²) ... AWG 12 (3.3 mm ²)



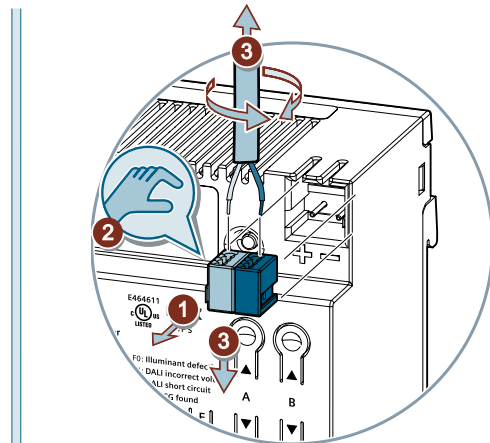
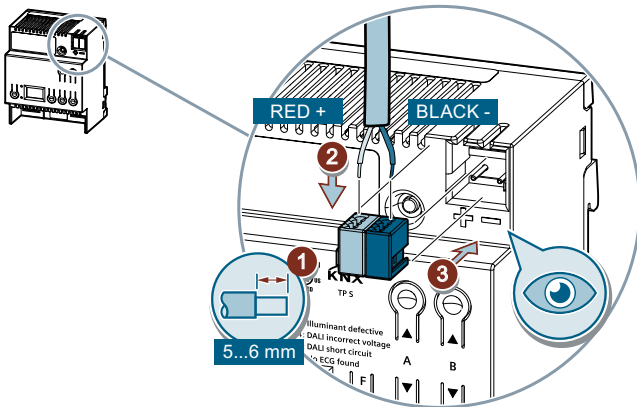


Connection / Anschluss / Raccordement /
Conexión / 连接

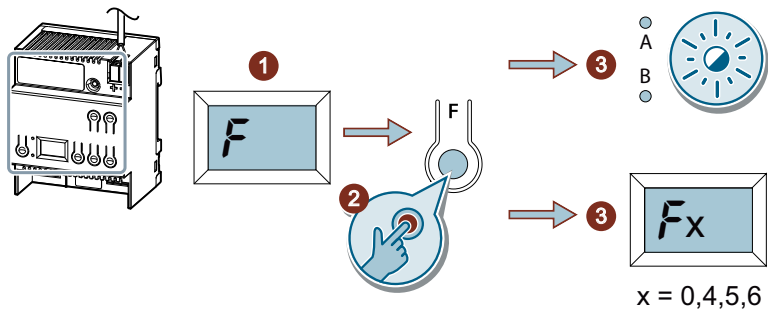
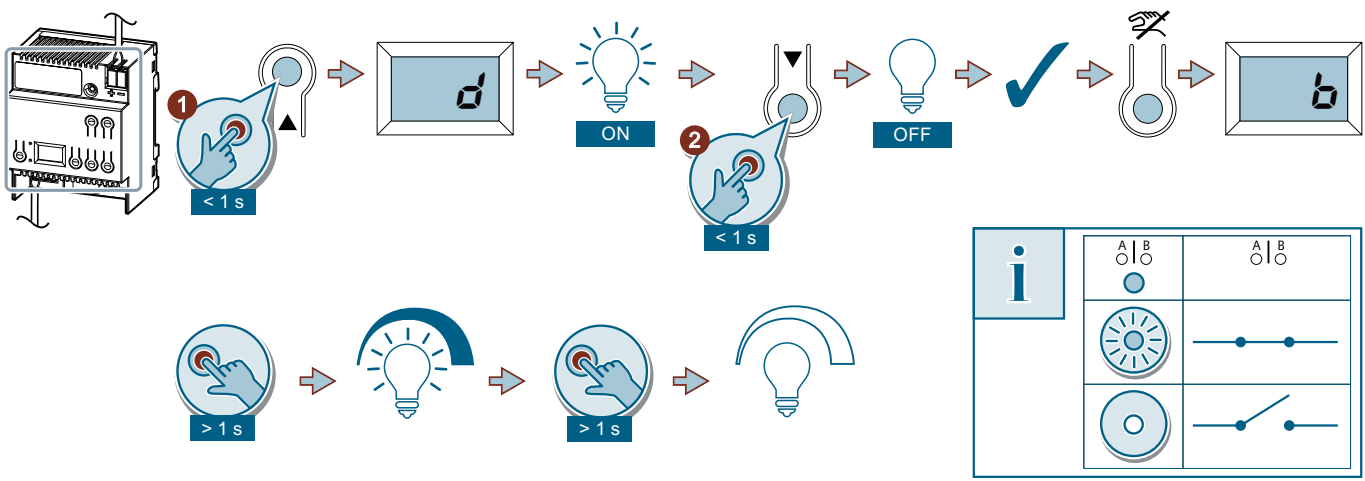
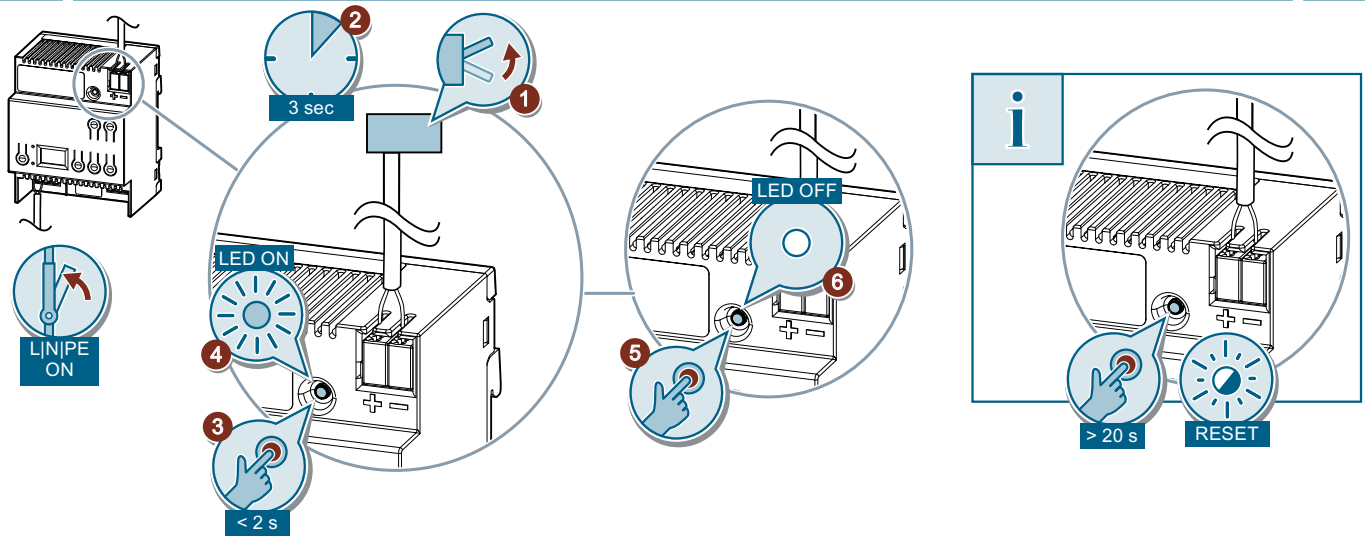
Disconnection / Trennung / D connexion /
Desconexi n / 断开



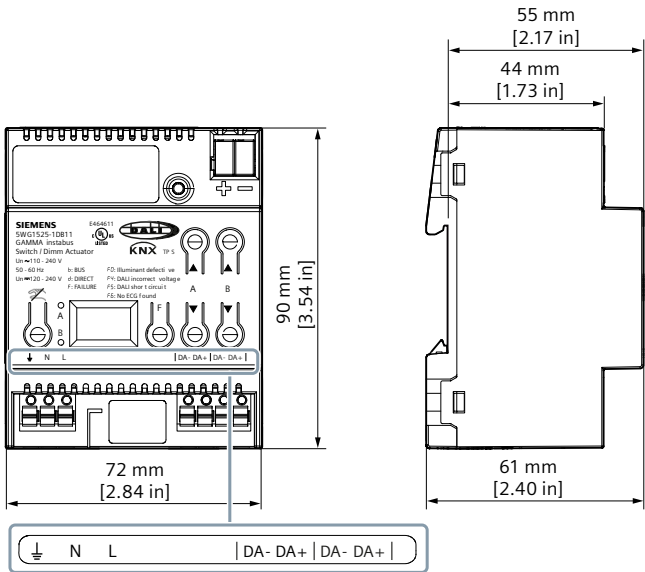
Cu	
	0.5 ... 2.5 mm ² AWG 20 (0.75 mm ²) ... AWG 12 (3.3 mm ²)



Cu	
	0.6 ... 0.8 mm AWG 20 (0.75 mm ²) ... AWG 18 (1.0 mm ²)



	F0	F4	F5	F6
EN	Illuminant defective	DALI incorrect voltage	DALI short circuit	No ECG found
DE	Leuchtmittel defekt	Fremdspannung	DALI Kurzschluss	Kein EVG gefunden
FR	Lampe défectueuse	Tension externe	Court-circuit DALI	Pas de ballast électronique trouvé
ES	Fuente de luz defectuosa	Tensión externa	Cortocircuito DALI	No se ha encontrado ningún balasto electrónico
IT	Lampada difettosa	Tensione parassita	Cortocircuito DALI	Nessun reattore elettronico trovato
PT	Lâmpada com defeito	Tensão externa	Curto-circuito em DALI	Nenhum balastro eletrônico encontrado
TR	Ampul bozuk	Harici gerilim	DALI kısa devre	Elektronik balast bulunamadı
PY	Неисправен источник света	Напряжение от внешнего источника	Короткое замыкание DALI	Не найден ЭПРА
PL	Lampa uszkodzona	Napięcie zewnętrzne	Zwarcie DALI	Nie odnaleziono statecznika elektronicznego
中	灯具损坏	外部电压	DALI 短路	未找到 EVG



Technical Documentation:
<http://www.siemens.com/gamma-td>



Technical Support
<http://www.siemens.com/supportrequest>



FAQ:
<https://support.industry.siemens.com/cs/ww/en/ps/faq>



WARNING	
	Hazardous voltage. Can cause death, serious injury or property damage.
	The Device must not be opened. A faulty device should be returned to the local Siemens sales office or distributor.
	The device must be mounted and commissioned by a factory trained person. The prevailing safety rules must be observed! Mount in dry location only!

(1) This equipment is intended for field installation within the enclosure of another product.

Listing and Certifications

cUL listed (E464611)
 UL 916, Open Energy Management Equipment

Electromagnetic compatibility

USA:
 This device complies with part 15 of the FCC Rules. Operation is subject to the following two conditions:

- (1) This device may not cause harmful interference, and
- (2) this device must accept any interference received, including interference that may cause undesired operation.

This equipment has been tested and found to comply with the limits for a Class B digital device, pursuant to part 15 of the FCC Rules. These limits are designed to provide reasonable protection against harmful interference in a residential installation. This equipment generates, uses and can radiate radio frequency energy and, if not installed and used in accordance with the instructions, may cause harmful interference to radio communications. However, there is no guarantee that interference will not occur in a particular installation. If this equipment does cause harmful interference to radio or television reception, which can be determined by turning the equipment off and on, the user is encouraged to try to correct the interference by one or more of the following measures:

- Reorient or relocate the receiving antenna.
- Increase the separation between the equipment and receiver.
- Connect the equipment into an outlet on a circuit different from that to which the receiver is connected.
- Consult the dealer or an experienced radio/TV technician for help.

This device complies with Part 15 of the FCC rules. Changes or modifications not expressly approved by Siemens Schweiz AG could void the user's authority to operate the equipment.

United States representative:
<https://new.siemens.com/us/en/products/buildingtechnologies/home.html>

Canada:
 CAN ICES-3(B)/NMB-3(B)

