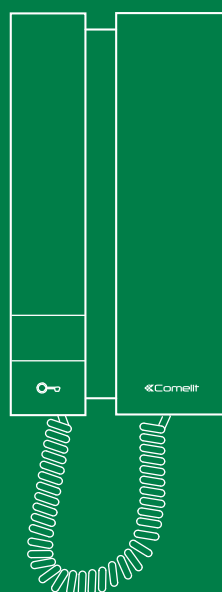
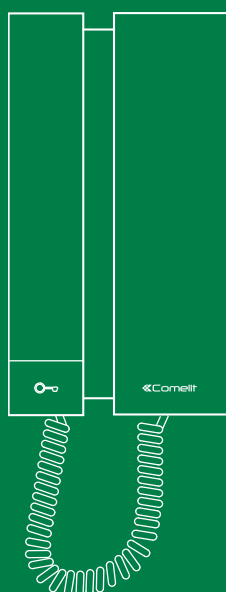


EN

TECHNICAL
MANUAL



Door-entry phone art. 2701W - art. 2702W

 **Comelit**[®]
Passion. Technology. Design.

Warning

Intended use

This Comelit product was designed for use in the creation of audio and video communication systems in residential, commercial or industrial settings and in public buildings or buildings used by the public.

Installation

All activities connected to the installation of Comelit products must be carried out by qualified technical personnel, with careful observation of the indications provided in the manuals / instruction sheets supplied with those products.

Wires

Use wires with a cross-section suited to the distances involved, observing the instructions provided in the system manual.

We advise against running the system wires through the same duct as the power cables (230V or higher).

Safe usage

To ensure Comelit products are used safely:

- carefully observe the indications provided in the manuals / instruction sheets
- make sure the system created using Comelit products has not been tampered with / damaged.

Maintenance

Comelit products do not require maintenance aside from routine cleaning, which should be carried out in accordance with the indications provided in the manuals / instruction sheets.

Any repair work must be carried out

- for the products themselves, exclusively by **Comelit Group S.p.A.**,
- for systems, by qualified technical personnel.

Disclaimer

Comelit Group S.p.A. does not assume any responsibility for

- any usage other than the intended use
- non-observance of the indications and warnings contained in this manual / instruction sheet.

Comelit Group S.p.A. nonetheless reserves the right to change the information provided in this manual / instruction sheet at any time and without prior notice

Table of contents

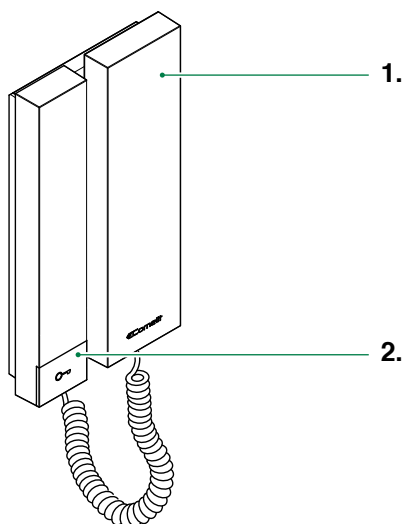
Warning	2
Description.....	3
Door-entry phone art. 2701W.....	3
Door-entry phone art. 2702W.....	4
Technical characteristics	5
Installation.....	6
Connections.....	7
Door-entry phone system with 2 audio port, Ikall series	7

Description

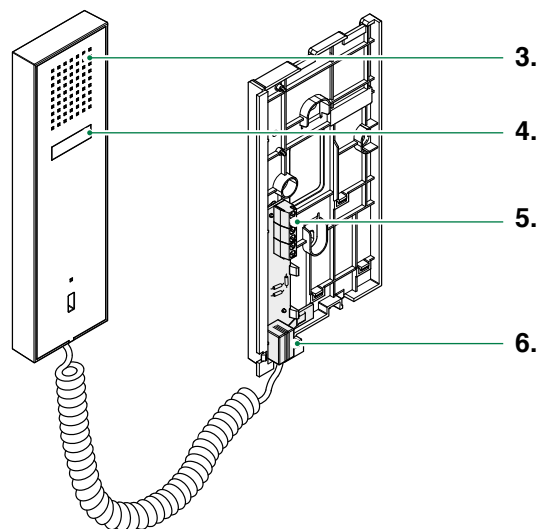
Door-entry phone art. 2701W

MINI series door-entry phone for traditional systems, with electronic call, handset and key button.

Dimensions: 105 × 190 × 28 mm



- 1. Handset
- 2. Key button



- 3. Loudspeaker
- 4. Audio hook

! *Do not press and hold the audio hook while the handset is lifted*

5. Terminal block:

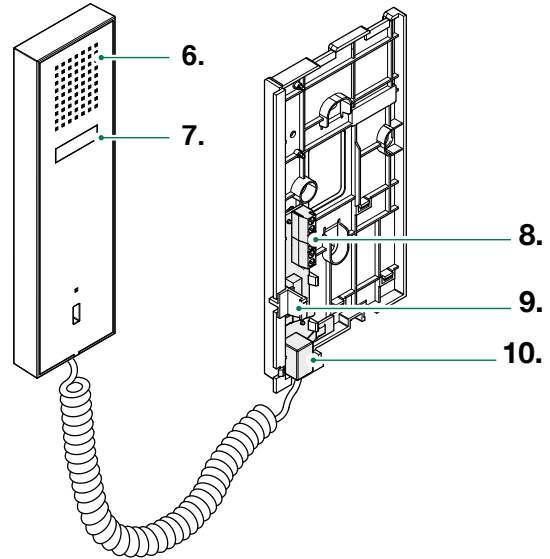
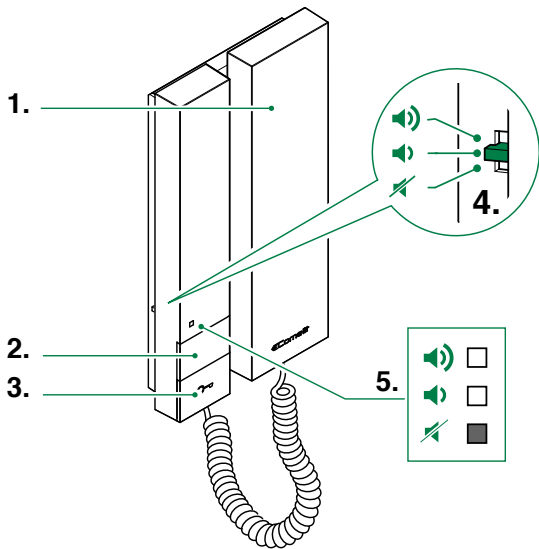
- P1** Key button
- 4** Negative
- 3** Microphone output
- 2** Loudspeaker input
- S** Electronic call signal input

6. Handset connector

Door-entry phone art. 2702W

MINI series door-entry phone for traditional systems, with electronic call, handset, key button and supplementary button for additional services. Call volume and privacy mode can be set via a 3 position selector switch; activation of privacy mode is signalled by a red indicator.

Dimensions: 105 x 190 x 28 mm



- 1. Handset
- 2. Button for additional services
- 3. Key button
- 4. 3-position ringtone / Privacy selector:
 - High position:* Maximum ringtone volume
 - Middle position:* Medium ringtone volume
 - Low position:* Privacy activation (Privacy service means exclusion of the call ringtone from the external unit and switchboard)
- 5. Red indicator signaling: Privacy service active

- 6. Loudspeaker
- 7. Audio hook

⚠ Do not press and hold the audio hook while the handset is lifted

- 8. Terminal block:
 - P2 C2** pushbutton C. NO. 24V 100mA dedicated to various services
 - P1** Key button
 - 4** Negative
 - 3** Microphone output
 - 2** Loudspeaker input
 - S** Electronic call signal input
- 9. Bell / Privacy selector
- 10. Handset connector

Technical characteristics

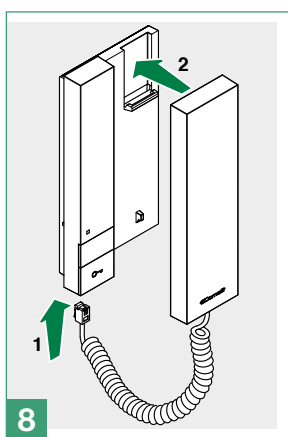
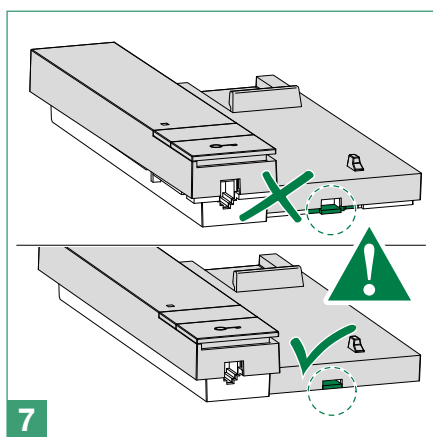
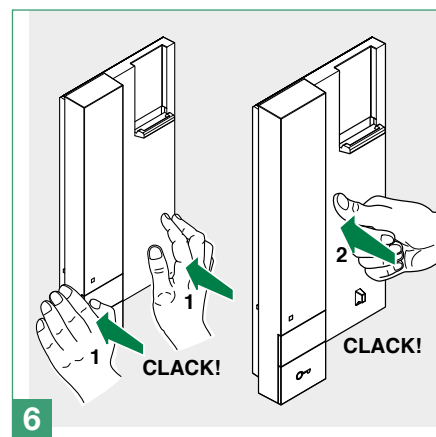
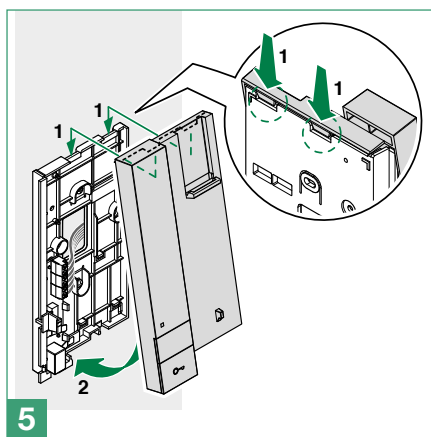
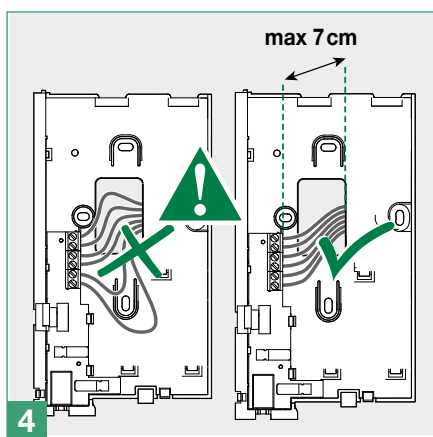
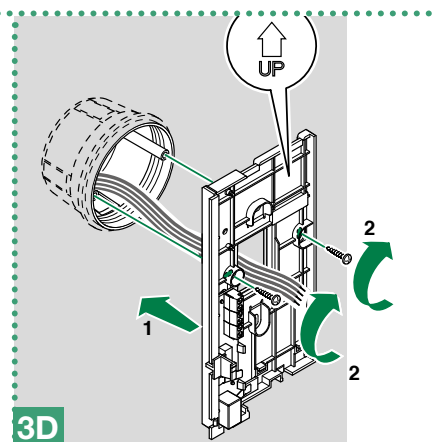
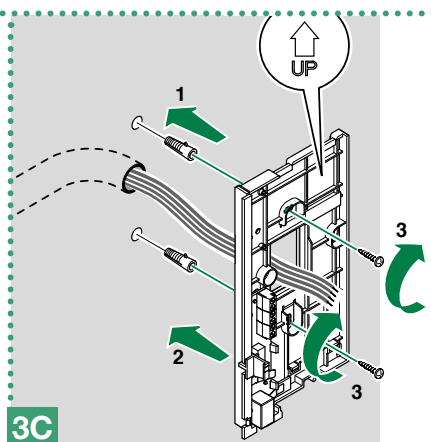
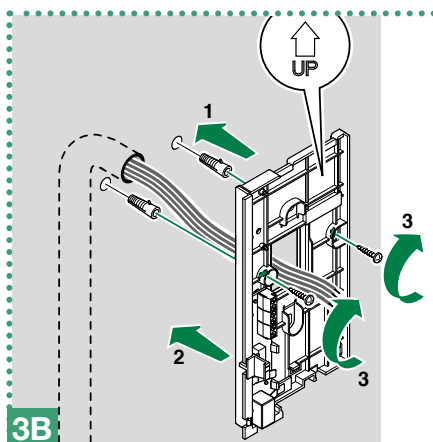
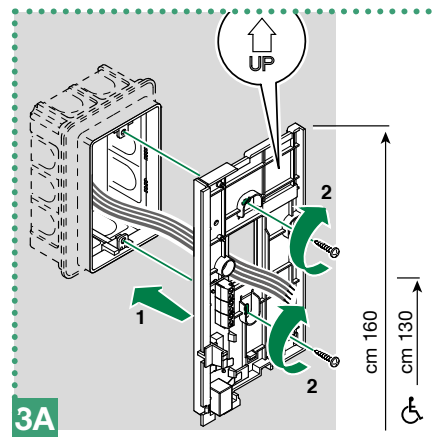
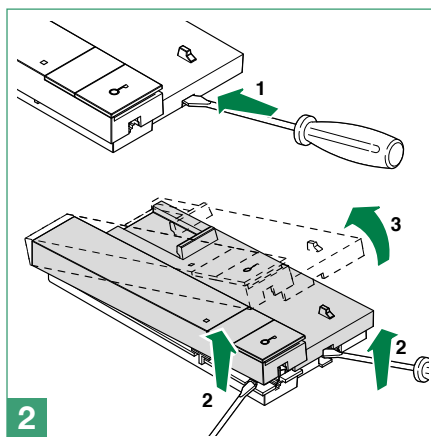
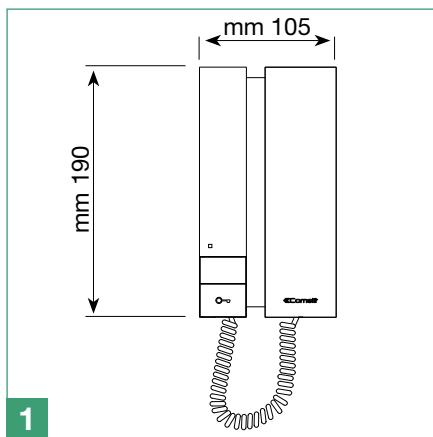
MAIN FEATURES	2701W	2702W
System	Traditional	Traditional
Audio system	Yes	Yes
Audio/video system	Yes	Yes
Wall-mounted	Yes	Yes
Desk base-mounted	Yes	Yes
Hands-free function	-	-
Induction loop function	-	-
Product color	White	White
Total buttons	1	2
LED signaling	No	No

FUNCTIONS		
Actuator control function	-	Yes
Switchboard call function	-	-
Panic call	-	-
General intercom call	-	-
Selective intercom call	-	-
Privacy function	-	Yes
Doctor	-	-
Floor door call function	-	-
Electronic bell	Yes	Yes
Customisable ringtone	-	-

SETTINGS		
Loudspeaker volume control	Yes	Yes
Ringtone volume control	Yes	Yes

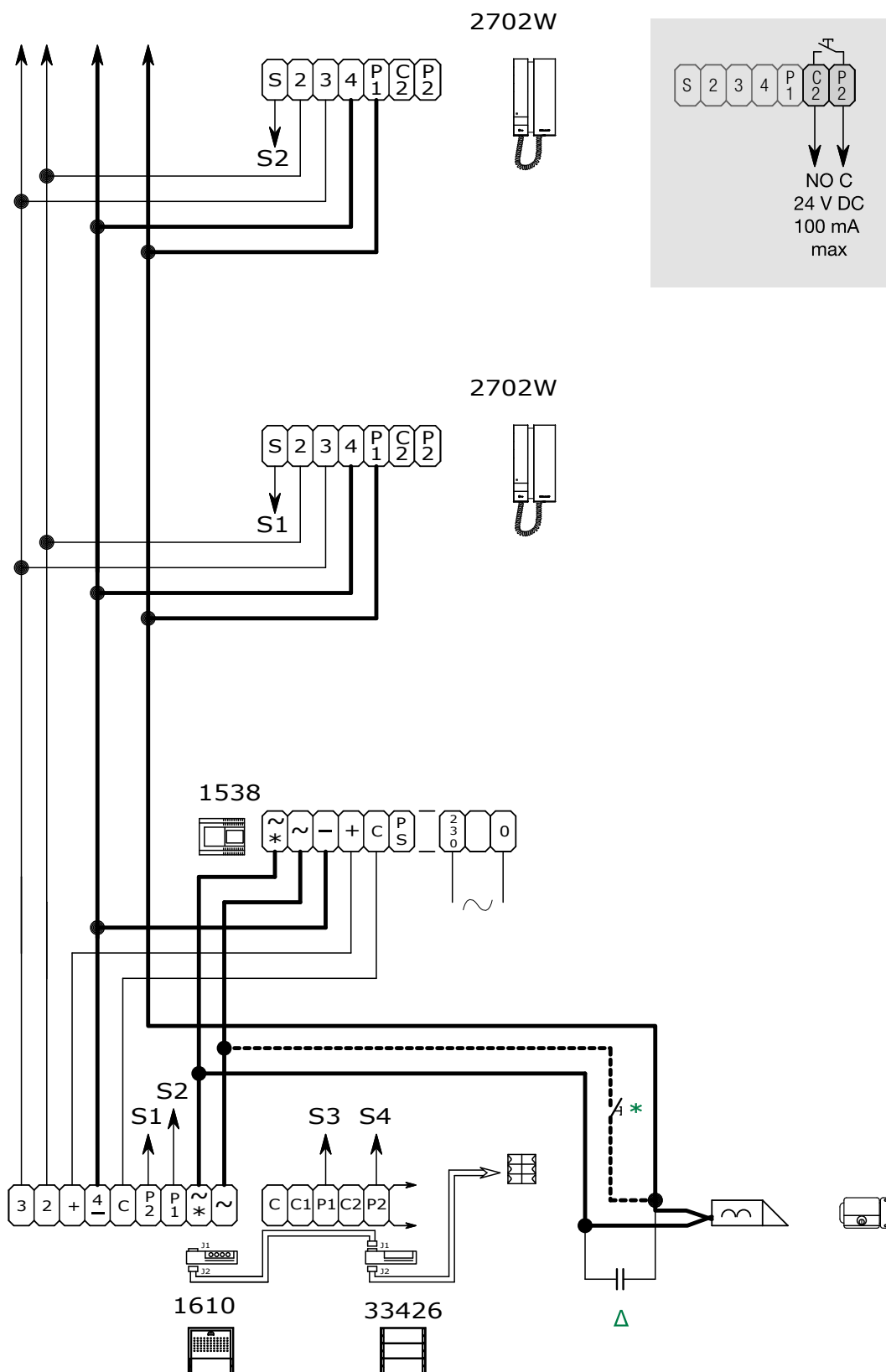
TECHNICAL SPECIFICATIONS		
Supply voltage	15 ÷ 16 Vdc	15 ÷ 16 Vdc
Power consumption stand-by (mA)	0,200 ÷ 0,250	0,200 ÷ 0,250
In called absorption (mA)	0,400 ÷ 0,420	0,400 ÷ 0,420
In communication absorption (mA)	0,300 ÷ 0,350	0,300 ÷ 0,350
Microphone	Ø 9,6 x 6,9 mm	Ø 9,6 x 6,9 mm
Speaker	Ø 0,50 mm ; Max Input Power 0,5W	Ø 0,50 mm ; Max Input Power 0,5W
IP Rating	30	30
Operating temperature (°C)	-5 +55	-5 +55
Operating humidity (%)	25 - 75	25 - 75
Product weight (Kg)	0,257	0,257
Clamps	S,2,3,4,P1	S,2,3,4,P1,P2

Installation



Connections

Door-entry phone system with 2 audio port, Ikall series



* Local lock-release button

△ Connect the capacitor included in the package (art.1610) as shown in the drawing below

CERTIFIED MANAGEMENT SYSTEMS



www.comelitgroup.com

Via Don Arrigoni, 5 - 24020 Rovetta (BG) - Italy

