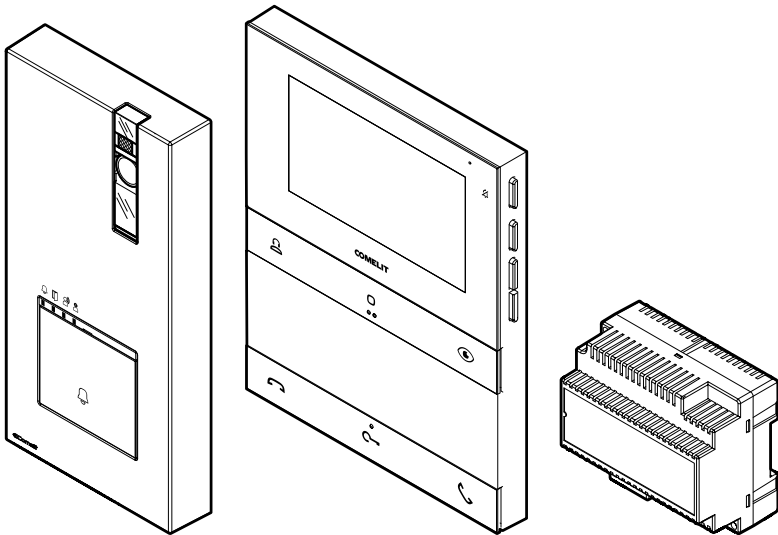


People
PL8461V

COMELIT
WITH • YOU • ALWAYS

FULL TECHNICAL MANUAL



**Join us
in taking care
of our planet**

Quadra and Hands-free People Kit art. PL8461V for Simplebus 2 system

Single-family kit consisting of Quadra series entrance panel art. 4893M and 4,3" hands-free door People series entry monitor art. PL6721 for Simplebus 2 system.

The entrance panel is supplied with call buttons to expand the kit for up to 4 residences.

The system can also be expanded with additional door entry monitors and entrance panels (available to purchase separately); for further information please refer to the technical documentation.

The kit is supplied pre-programmed, ready to use and with all the accessories required to create the system.

Suitable for installation in homes, commercial premises or offices.



**Think before you
print**

**and use the
interactive links**



Help us to save the planet.

Think of the planet before printing this document.

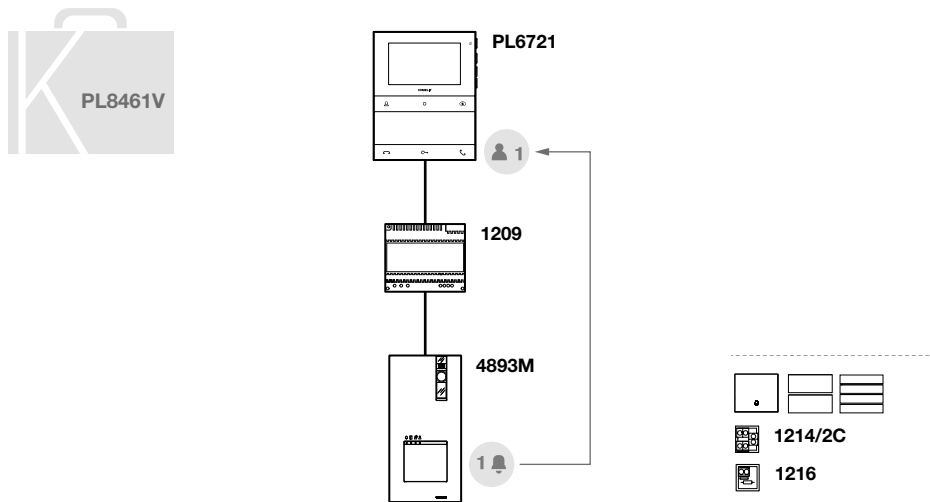
***You are reading an interactive document:** quickly access the content you are interested in via links.*

Table of contents

Kit art. PL8461V	4
Notes for the installer	5
Art. 4893M	6
Description	6
Technical specifications	8
Installation	9
Programming	12
Art. 1209	19
Description	19
Technical specifications	20
Art. PL6721	21
Description	21
Technical specifications	26
Programming the user code	28
Installation	32
Programming	34
Operating distances	40
Wiring diagrams	41
System expansion diagrams	43
Using the entrance panel relay on generic actuator control	46
Table of user codes	47

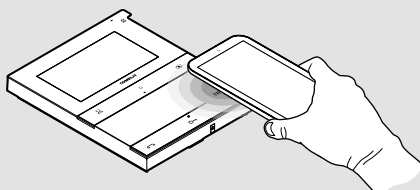
Kit art. PL8461V

The kit components are supplied pre-programmed to work as a single-family setup.

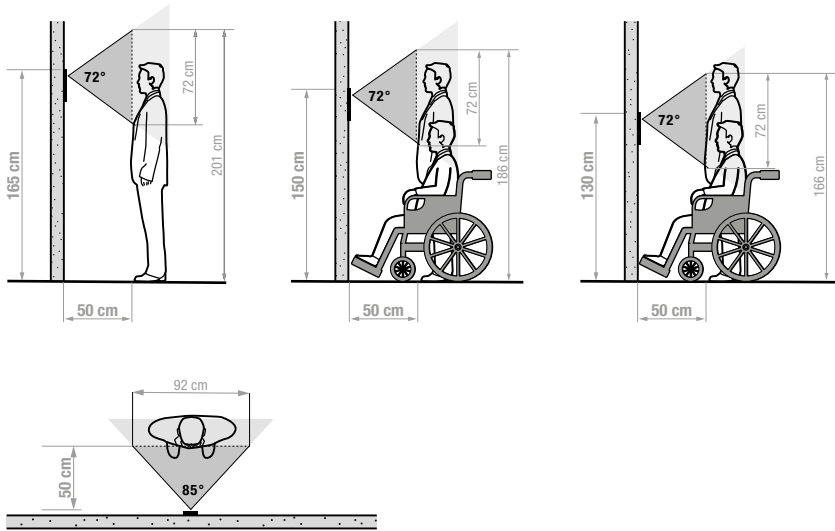


The door entry monitor has an NFC connection which means it can be programmed quickly and easily via the MyComelit app, available to download free of charge. Programming can even take place while the door entry monitor is off!

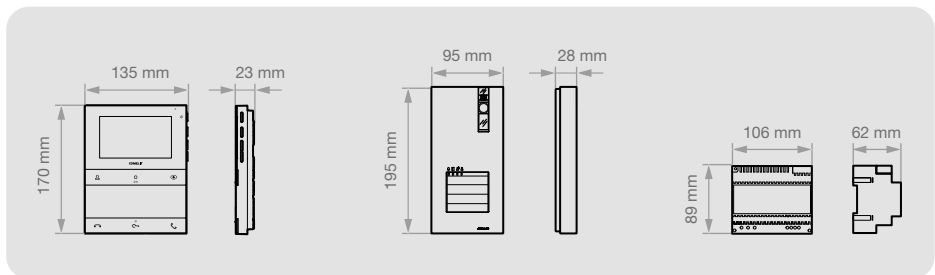
The door entry monitor can nevertheless be used to program the user code via dip-switch and change the functions associated with the buttons using the menu.



Notes for the installer



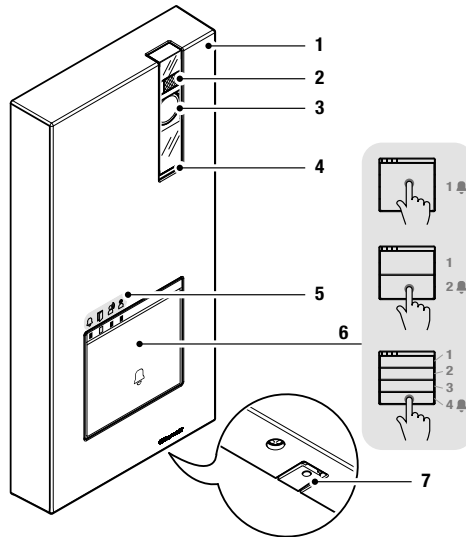
The camera must not be installed in front of light sources, or in places where the filmed subject is against the light. In dim environments, we recommend additional lighting is provided.



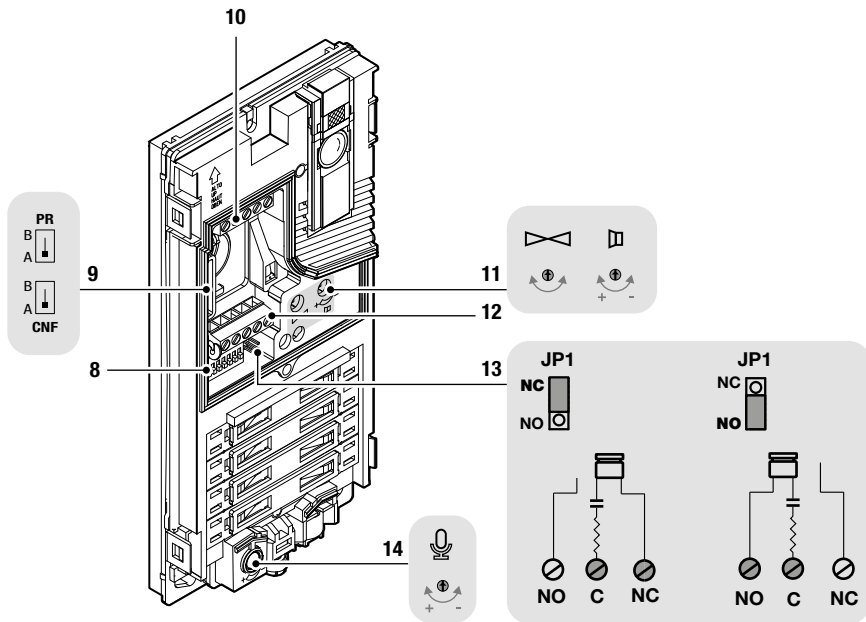
Art. 4893M

Description

Wall-mounted external unit for Quadra series door entry monitor. Die-cast aluminium front panel, wide-angle colour video camera and single LED for lighting at night. Mechanical buttons with the option of setting 1 to 4 call buttons via DIP-switch. Indicator LED for call sent, lock-release activated, audio activated and system busy. Loudspeaker volume adjustment and audio balancing. Bus line power supply. Dimensions: 95x195x28 mm.



1. Die-cast aluminium cover.
2. Default camera lighting LED, call activated (see Entrance panel settings on page 12).
3. Wide-angle colour video camera.
4. Speaker.
5. Indicator LED:
🔔 call sent / 🚪 lock-release activated
🔊 audio activated / 🚫 system busy.
6. Call button 1 / 2 / 4 users.
7. Microphone.

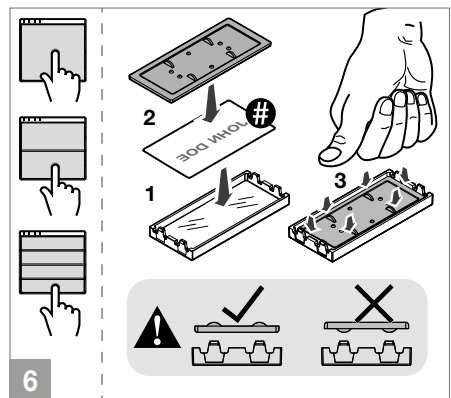
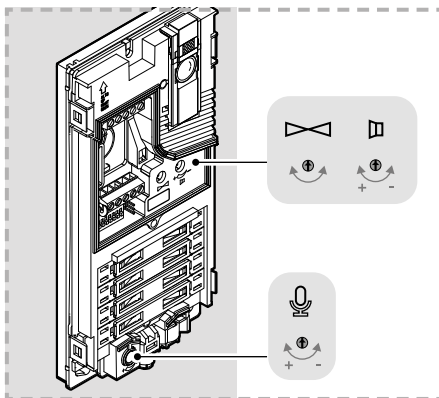
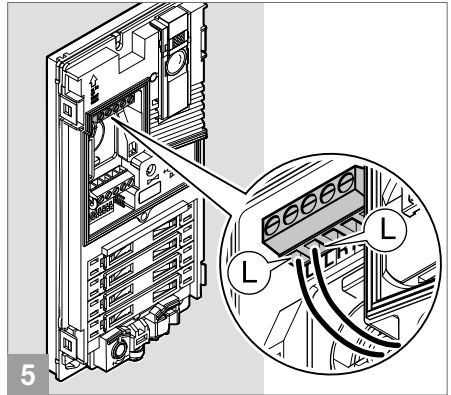
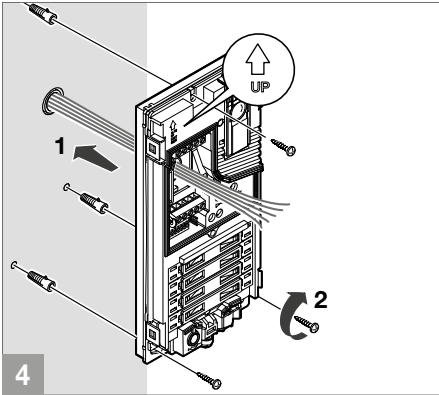
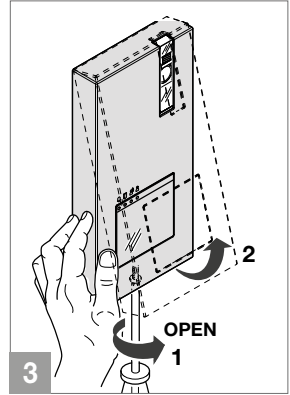
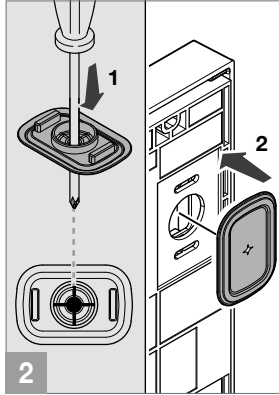
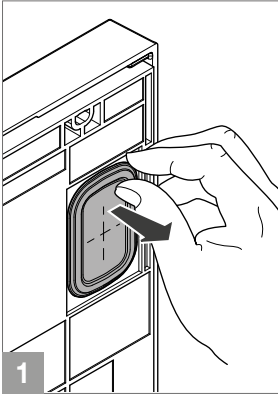


- 8. **DIP-SWITCH** for function programming.
- 9. **PR** programming input/output switch.
CNF programming confirmation switch.
- 10. Terminal block **M1**:
LL bus line connection.
RTE request to exit button input.
COM common input for RTE and DO contacts.
DO door open indication input.
- 11. Audio balancing and loudspeaker volume adjustment.
- 12. Terminal block **M2**:
SE- SE+ connection for electric door lock.
NC NO C relay contacts.
- 13. **JP1** enabling the RC network for door lock filter on relay contacts.
- 14. Microphone volume control.

Technical specifications

GENERAL DATA	
Type	Complete unit
Height (mm)	195
Width (mm)	95
Depth (mm)	28
Product weight (g)	300
Product colour	Grey RAL 9006, Black RAL9005
Surface mounting	Yes
COMPATIBLE SYSTEMS	
Simplebus 2 audio/video kit with power supply unit art. 1209	Yes
AUDIO SPECIFICATIONS	
Microphone	6 mm (ø), Omnidirectional
Loudspeaker	36 mm (ø), 8 Ohm, 1W
CAMERA FEATURES	
Camera	Colour
Sensor type	1/4" CMOS
Fixed lens dimensions (mm)	2,1
Viewing angle (H x V - °)	85 x 72
Sensitivity (lux)	0.1 (colours)
ELECTRICAL SPECIFICATIONS	
Type of power supply	Power supply via video entry bus
Power supply voltage	33 VDC
Maximum absorption (W)	8.25
HARDWARE SPECIFICATIONS	
Call type	Buttons
Type of buttons	Mechanical
Number of buttons	4
Backlighting colour	White
Terminals	LL RTE COM DO SE- SE+C NC NO
Number of inputs	2
Number of outputs	2
Output type	Relay (C-NO-NC, 10A@12-24 VAC/VDC), SE: 4A unlock pulse, maintenance current 200 mA for 12 VAC/DC door locks (maximum impedance 18 Ohm)
SETTINGS	
Loudspeaker volume	Yes
Mic volume	Yes
ENVIRONMENTAL AND CONFORMITY SPECIFICATIONS	
IP protection rating	IP54
IK anti-vandal protection rating	IK08
Operating temperature	-25 to 55
Operating humidity (max. RH)	25 to 95
Environmental class	IV
CE certification	RoHS II - 2011/65/EU (EN IEC 63000:2018), EMC 2014/30/EU (EN 61000-6-1:2007, EN 61000-6-3:2007+A1:2011)
MAIN FUNCTIONS	
Lock-release	Yes
Number of auxiliary relays	1
Input for local lock-release button	Yes
Input for door open indication	Yes

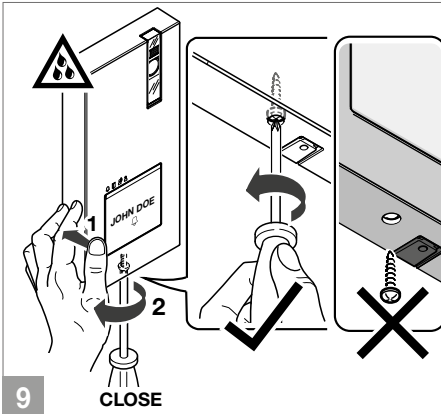
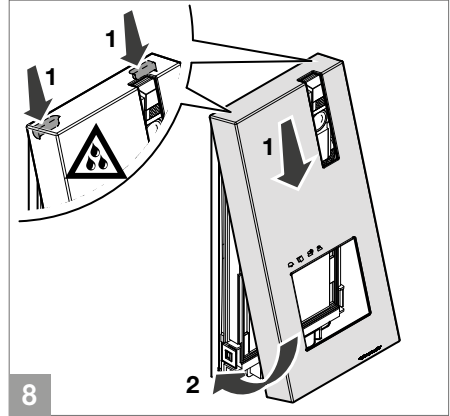
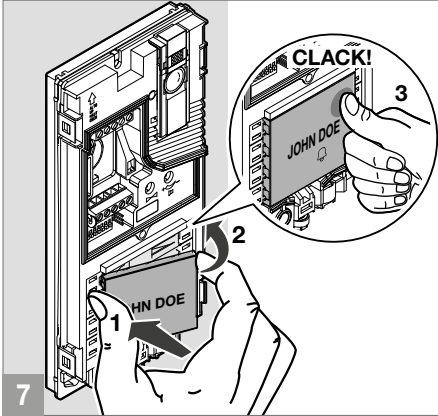
Installation



You can download the free software (art. 1235A) to print the entrance panel name cards, using the adhesive pre-cut sheets available in our catalogue (art. 1217A).

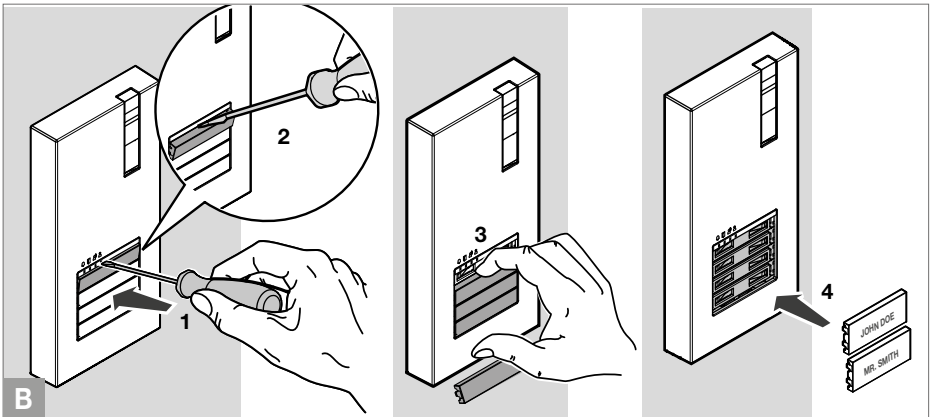
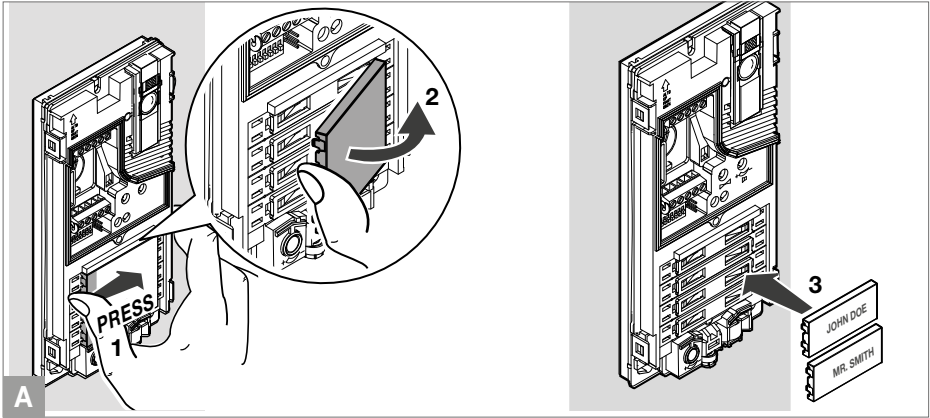


Before securing the screw, make sure that you do not need to program the external unit and make sure that the metal front panel does not rub against other metal parts, with consequent risk of damage to its insulating coating. While the system is running, take care not to accidentally call users when replacing the nameplate labels.



To guarantee the product is water-tight: fit it properly.

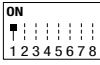
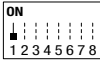
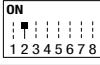
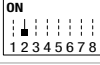
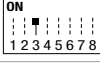
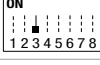
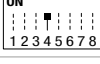
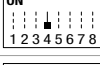
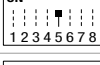
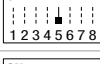
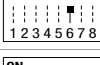
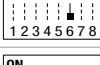
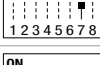
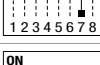
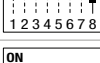
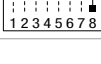
CHANGING NAMEPLATES



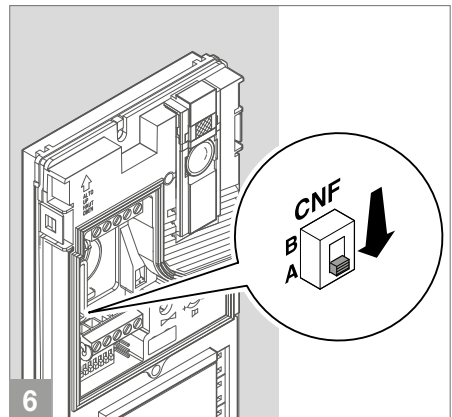
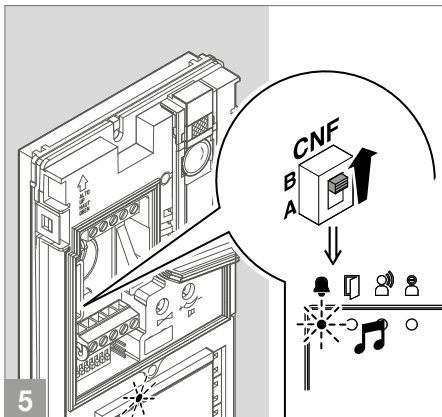
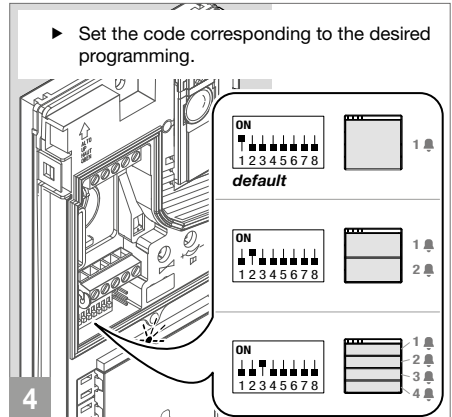
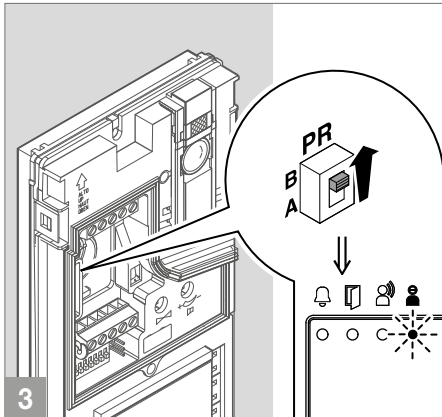
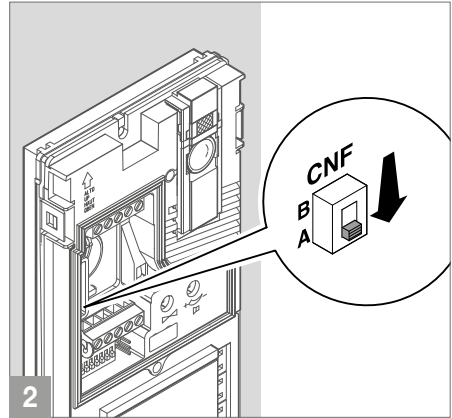
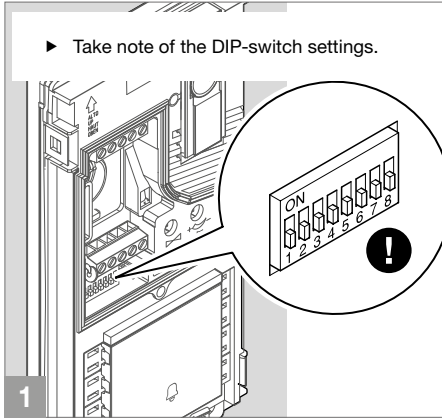
Programming

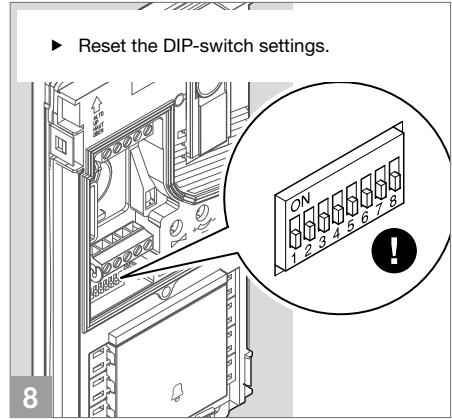
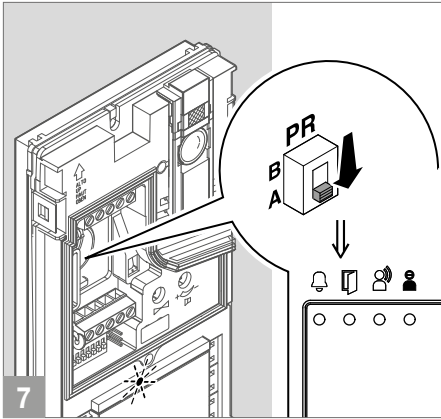
ENTRANCE PANEL SETTINGS

- ▶ Permanently set the S1 DIP-switches corresponding to the function you want to program in accordance with the table below (you do not need to enter programming mode)

		FUNCTION
DIP 1		The SE output and the C-NO relay are controlled by 2 separate buttons on the door entry monitor: the key button (SE) and the generic actuator button (C-NO)
	 <i>default</i>	The SE output and the C-NO relay are controlled by a single button on the door entry monitor: the key button
DIP 2		Lock-release activation time: 8 seconds
	 <i>default</i>	Lock-release activation time: 2 seconds
DIP 3		Relay activation time: 8 seconds
	 <i>default</i>	Relay activation time: 2 seconds
DIP 4		Awaiting reset time: 1 second
	 <i>default</i>	Awaiting reset time: 10 seconds
DIP 5		Call transmission: TRIPLE
	 <i>default</i>	Call transmission: SINGLE
DIP 6		Confirmation tones (call, lock-release, relay, audio enabled): DISABLED
	 <i>default</i>	Confirmation tones (call, lock-release, relay, audio enabled): ENABLED
DIP 7		Camera lighting LED: DISABLED
	 <i>default</i>	Camera lighting LED: ENABLED
DIP 8		LED lighting of name-holder front panels: OFF
	 <i>default</i>	LED lighting of name-holder front panels: ON

PROGRAMMING CALL CODES FOR TWO-FAMILY AND FOUR-FAMILY VERSION





PROGRAMMING AN ADDITIONAL ENTRANCE PANEL

With switching device art. 1405, only one additional entrance panel may be installed.

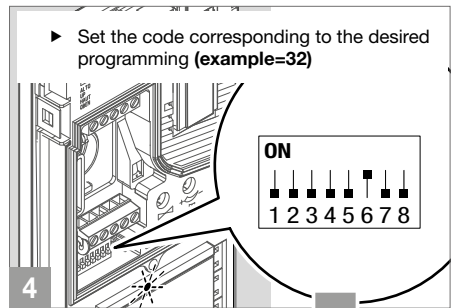
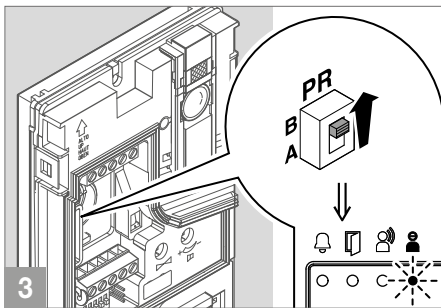
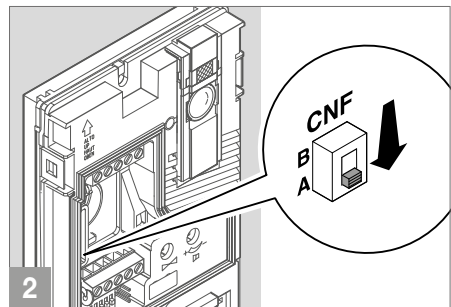
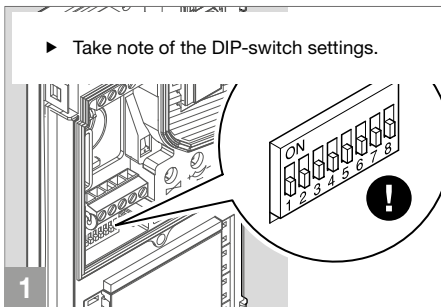
The two entrance panels must be programmed as main **P** and secondary **S**; see table below.

- The “Main entrance panel” **P** carries out lock-release (or actuator) commands only when it is in call or self activation status.
- The “Secondary entrance panel” **S** carries out lock-release (or actuator) commands whether it is in standby or in call or self activation status.
- If the system is in standby mode the first self-activation command will activate the camera of the secondary entrance panel. Further commands switch between the two entrance panels, activating the main entrance panel and the secondary entrance panel alternately.

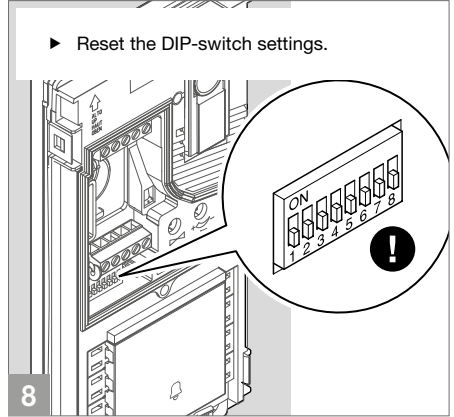
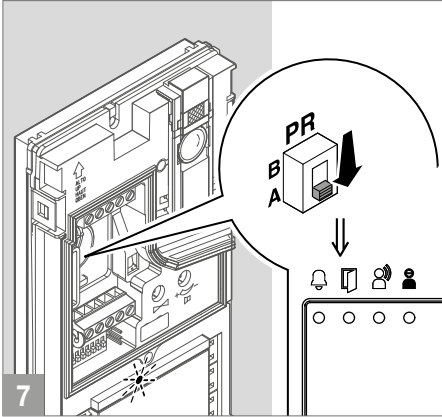
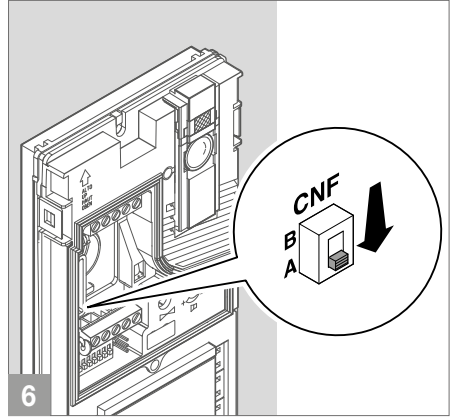
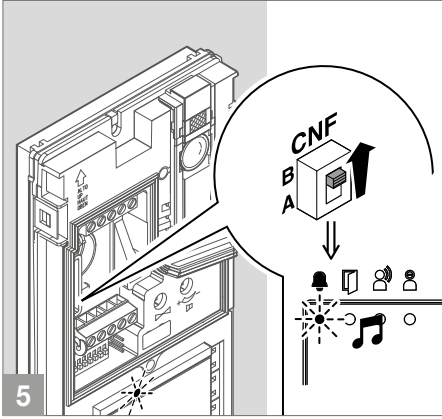
With switching device art. 1404, more than one additional entrance panel may be installed.

All the entrance panels must be programmed as shown in the table below.

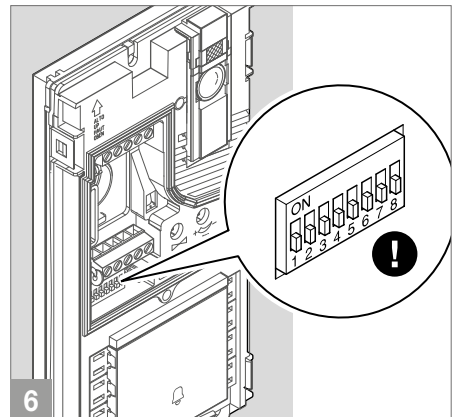
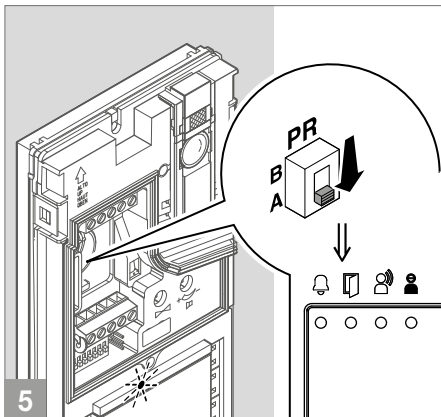
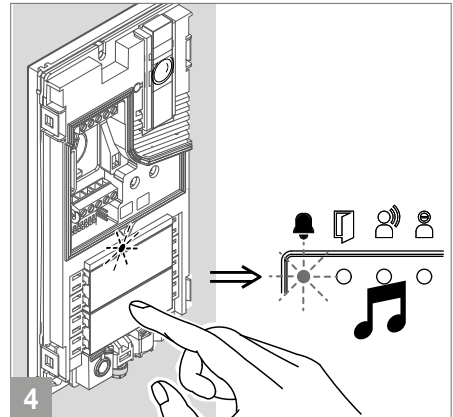
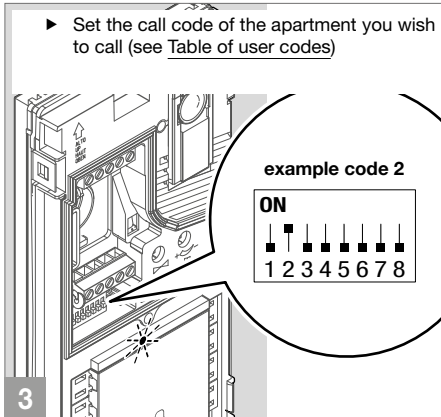
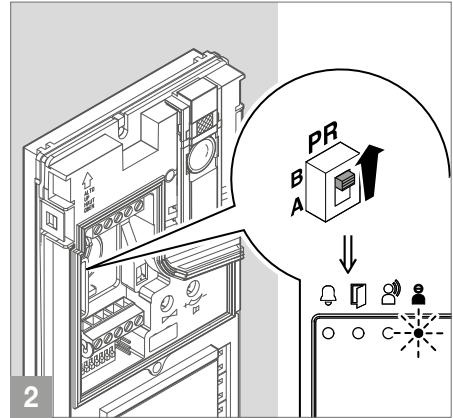
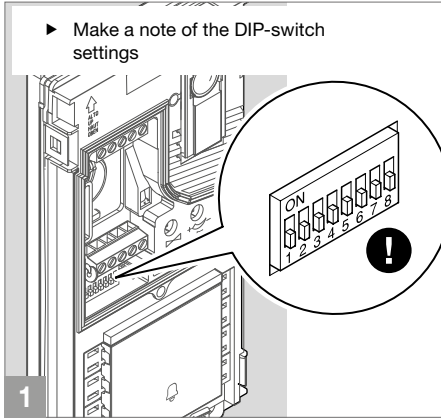
Please refer to the full manual for product 1404, which is available to download from the website pro.comelitgroup.com



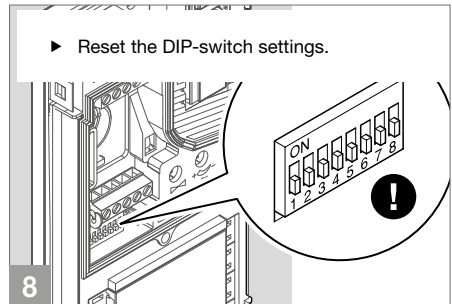
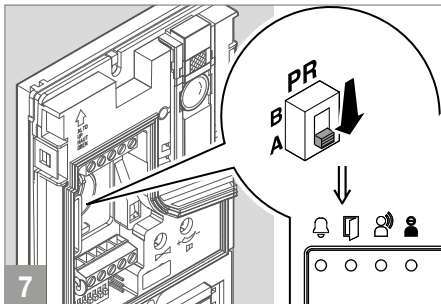
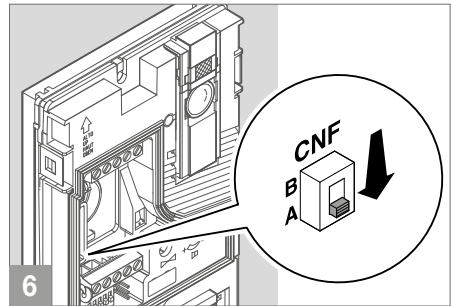
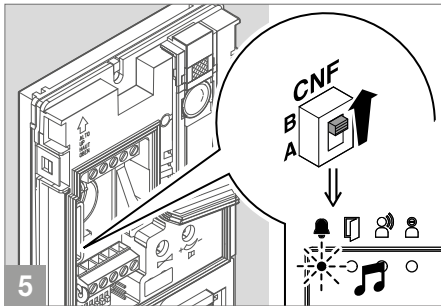
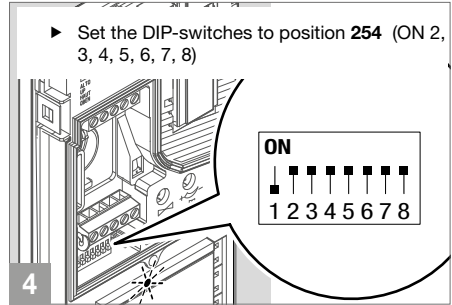
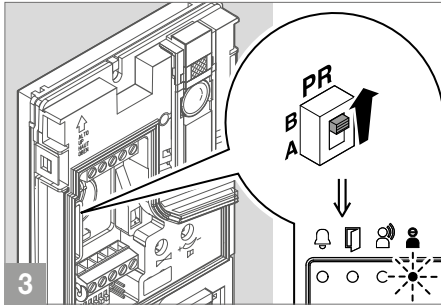
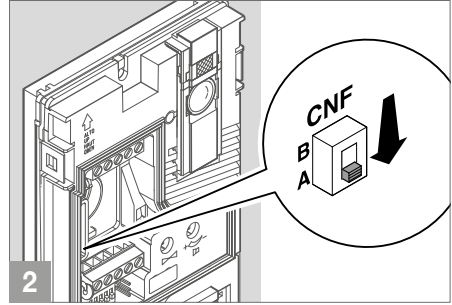
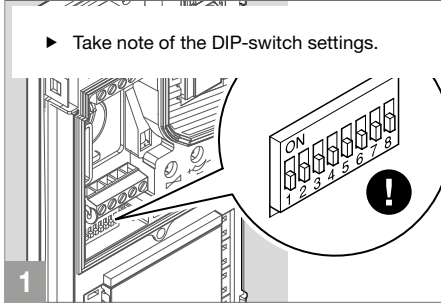
PROGRAMMING	DIP-SWITCH	CODE
Programming an entrance panel with switching device 1404		8
Programming a secondary S entrance panel with switching device 1405		16
Programming a main P entrance panel with switching device 1405		32



PROGRAMMING A GENERIC CALL ADDRESS



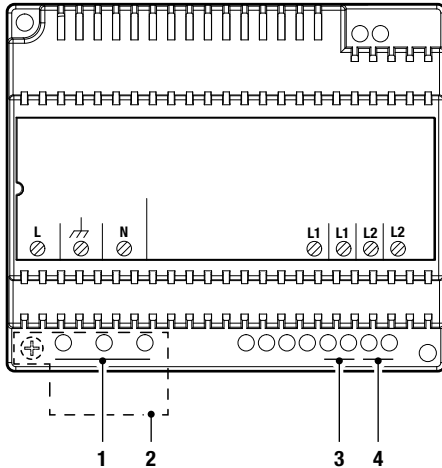
RESTORE DEFAULT



Art. 1209

Description

33 VDC power supply unit for Simplebus 2 KIT, for direct connection to the external unit and internal unit. Equipped with overload and short circuit protection. Input voltage 110-240 VAC. Dimensions: 106 x 62 x 89 mm (6 DIN modules).



1. **L N** mains power input 110-240 V~.
2. Terminal protection.
3. **L1 L1** main bus line output (31 V \Rightarrow).
4. **L2 L2** riser bus line input (31 V \Rightarrow).



Appliance exclusively for indoor use. Risk of electric shock; proceed with caution. Install inside a closed electrical panel so that it may only be accessed by authorised personnel.

A suitable omnipolar switch with a contact opening of at least 3 mm must be installed upstream of the video entry phone system.

- Disconnect the power supply before carrying out any operations on the wiring.
- Replace the protections on the terminals.
- Do not obstruct the ventilation and cooling slots or apertures.

Technical specifications

MAIN FEATURES	
Power supply voltage	110-240 VAC
Max. current delivered (A)	1.2
Applicable to DIN rail	Yes
Number of DIN modules	6

GENERAL DATA	
Height (mm)	62
Width (mm)	106
Depth (mm)	89
Coating material type	Plastic
Product colour	White
Operating temperature (°C)	-5 to 40
Operating humidity (max. RH) (%)	25 to 95

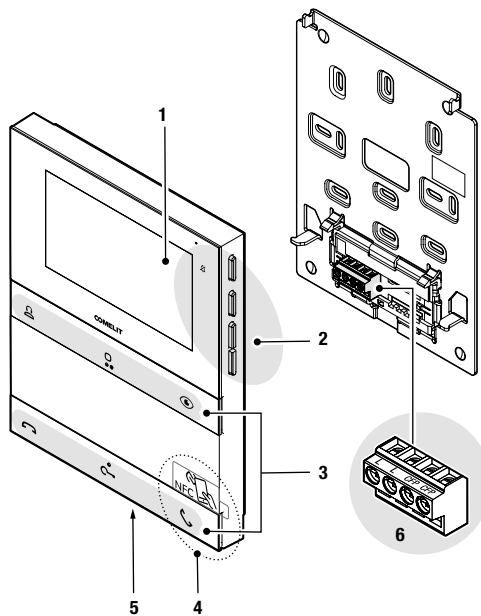
COMPATIBILITY	
Audio/Video Kit system	Yes

ELECTRICAL SPECIFICATIONS	
Maximum power delivered (W)	37

Art. PL6721

Description

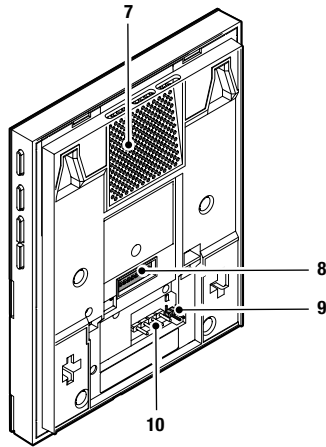
People series colour door entry monitor for Simplebus 2 system Hands-free version with 4.3" / 16:9 screen. The door entry monitor can be programmed, even when switched off, via smartphone using the MyComelit app, which is available to download free of charge. It is supplied with a metal surface mounting backplate for stable and strong fixing, and with a line distribution terminal. It has 6 mechanical buttons on the front, with icons identifying their factory set functions. 3 of the buttons are backlit to ensure ease of use: green for the 'audio' function, red for the 'end communication' function, and white for the 'electric lock' function. 3 buttons are programmable and already configured to call the porter switchboard, control an actuator and implement self activation. The middle buttons of each row have touch guides for sight-impaired users. On the right-hand side of the door entry monitor there are buttons for activating Silent mode with a red indicator light and corresponding icon, plus buttons for accessing the menu used to adjust the brightness, contrast, colour and ringtone volume values. It comes as standard with a floor door call that can also be programmed for other functions. Dimensions (L x H x D): 135 x 170 x 23 mm.



1. 4.3" / 16:9 LCD screen.
2. Mechanical side buttons.
3. Mechanical front buttons, with touch guides for sight impaired users on the middle buttons of each row.
4. NFC detection area.
5. Microphone.
6. Connection terminal block:

L L Terminals for bus line connection.

CFP CFP Terminals for floor door call connection.



- 7. Speaker.
- 8. Dip-switch for programming the user code.
- 9. **CV5** Jumper for video closure.
- 10. Pin for securing the terminal block.

FRONT BUTTONS - FACTORY PROGRAMMING



Call to standard switchboard ★ (not available in KIT systems)

- ▶ Press the button to send a call to the porter switchboard.



Generic actuator ★

- ▶ Press the button to activate a generic actuator (art. 1256) or the relay for the external entrance panel.



Self activation ★

- ▶ Press the button to access real-time viewing of the images on the outdoor entrance panel camera.



End of communication

- ▶ Press the button to end the audio communication.

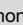



Lock-release ★

- ▶ Press the button to activate the door lock.

Door opening on call

This button can also be used to enable "Automatic lock-release on receipt of call", which allows automatic activation of the lock-release relay on receipt of a call originating from the external entrance panel.

- √ The function must be authorised by the installer via the MyComelit app.
- ▶ When the door entry monitor is in standby, press  for 5 seconds to enable/disable "Automatic lock-release on receipt of call" mode.
 - » A confirmation tone will play.
 - » The steadily lit LED  indicates that the function is active.





Start communication

- ▶ Press the button to activate communication.

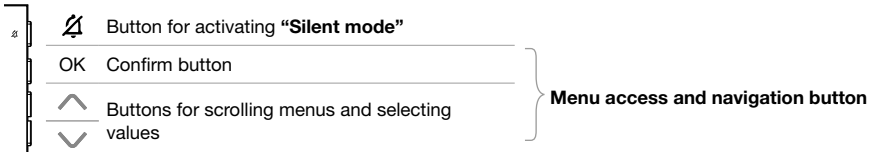
Automatic answer

This button can also be used to enable "Automatic answer", which allows automatic activation of the audio on receipt of a call originating from the external entrance panel.

- √ The function must be authorised by the installer via the MyComelit app.
- ▶ When the door entry monitor is in standby, press  for 5 seconds to enable/disable "Automatic answer" mode.
 - » A confirmation tone will play.
 - » The steadily lit LED  indicates that the function is active.

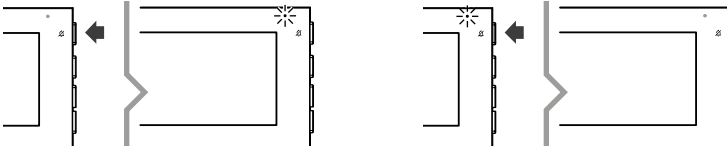
★ To change the factory programming for the buttons, please refer to the chapter [Programming](#) on page 34.

SIDE BUTTONS



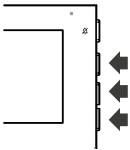
ACTIVATING "SILENT MODE"


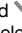
- ▶ Press **the button** to activate/deactivate **Silent mode**.
- » *The red LED indicates that the function is active.*

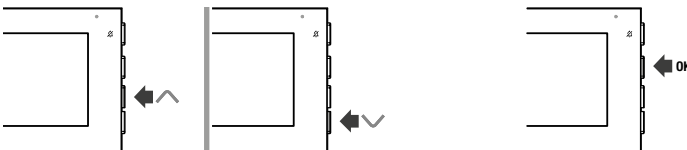


ACCESSING AND NAVIGATING MENUS


- ▶ Press **one** of the following buttons to access the **user menu**.






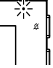
- ▶ Press  and  to scroll through the menu and/or select the values, then press the confirm button to confirm the selection.



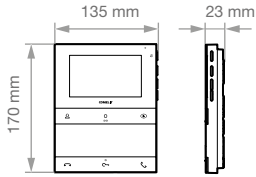
User menu options

	Exit
	Call volume adjustment
	Select ringtone upon call from external entrance panel
	Audio volume adjustment
	Brightness control
	Contrast adjustment
	Colour adjustment

INDICATOR LEDES

	Red LED	Flashing: communication taking place.
		Flashing: incoming call/communication taking place.
	White LED	Flashing with door entry monitor in standby: "Door open" indication. Lit steadily with door entry monitor in standby: "Automatic lock-release on receipt of call" mode enabled.
		Flashing: incoming call.
	Green LED	Lit steadily: communication taking place. Lit steadily with door entry monitor in standby: "Automatic answer" mode enabled.
		Flashing: incoming call.
	Red LED	4 flashes: system busy. Lit steadily: silent mode enabled.

Technical specifications



GENERAL DATA	
Product colour	White RAL9003, Black RAL9005
Surface mounting	Yes
Desk base mounting	Yes, with specific accessory
Product weight	430 grams
Coating material type	ABS, PMMA
COMPATIBLE SYSTEMS	
	Simplebus 2 audio/video with power supply unit art. 4888C
	Simplebus 2 audio/video with power supply unit art. 1210/1210A
	Simplebus 2 audio/video kit with power supply unit art. 1209
DISPLAY	
Display size	4,3"
Aspect ratio	16:9
Resolution (pixels)	480x272
On-screen menu (OSD)	Yes
Type of display	TFT
AUDIO SPECIFICATIONS	
Microphone	6 mm (ø), Omnidirectional
Loudspeaker	36 mm (ø), 40 Ohm, 1W
ELECTRICAL SPECIFICATIONS	
Type of power supply	Power supply via video entry bus
Power supply voltage	33 VDC
Absorption in standby	0.03 W
Maximum absorption	9.2 W
HARDWARE SPECIFICATIONS	
Type of buttons	Mechanical
Terminals	L L CFP CFP
Removable terminals	Yes
Number of inputs	1
Backlighting colour	Green, White, Red
Total buttons	6
SETTINGS	
Loudspeaker volume	Yes
Ringtone volume	Yes
Screen brightness	Yes
Screen contrast	Yes
Screen colour	Yes

ENVIRONMENTAL AND CONFORMITY SPECIFICATIONS

IP protection rating	IP30
Operating temperature (°C)	5 - 40 °
Operating humidity (max. RH)	25 - 75 %
Environmental class	I
CE certification	RoHS II - 2011/65/EU (EN IEC 63000:2018), EMC 2014/30/EU (EN 61000-6-1:2007, EN 61000-6-3:2007+A1:2011)

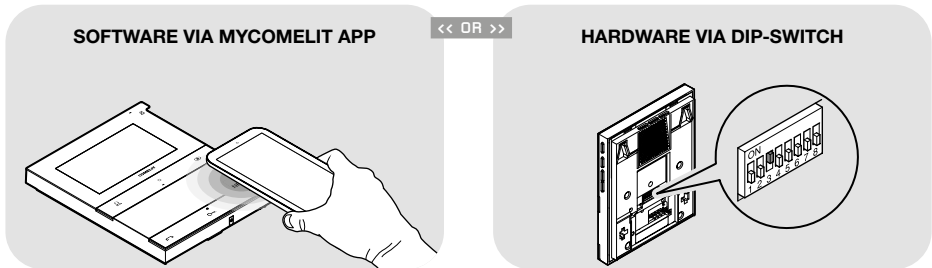
GENERAL FEATURES

Lock-release	Yes
Self activation	Yes
Intercom calls	Yes
Actuator control	Yes
Switchboard call	Yes
Input for floor door call	Yes
Silent mode	Yes
Automatic lock-release on receipt of call	Yes
Automatic answer	Yes
Door open indication	Yes
Customisable ringtone	Yes
Panic call	Yes
Selective intercom call	Yes
Visual indications	Yes
Acoustic indications	Yes

Programming the user code

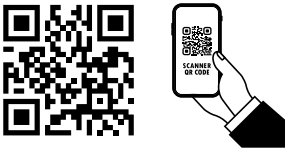
The door entry monitor included in the kit is pre-programmed with user code 1.

The user code must be programmed on any additional door entry monitors via the MyComelit app or using the dip-switches.



PROGRAMMING THE USER CODE VIA THE MYCOMELIT APP

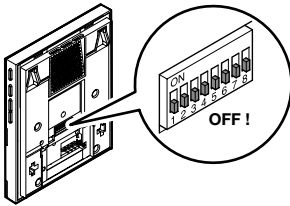
The door entry monitor has an NFC connection which means it can be programmed quickly and easily **via the MyComelit app**, available to download free of charge.



Programming can even take place while the door entry monitor is off!

The user code for several door entry monitors can be programmed in sequence!

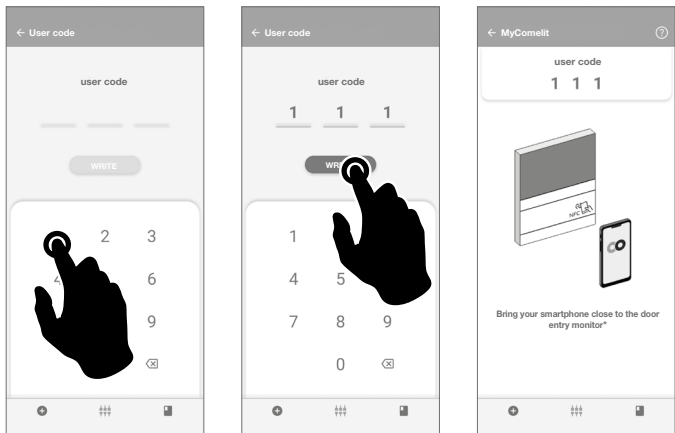
- ✓ All dip-switches must be set to OFF (factory programming) and should remain OFF even during normal operation.



1. Open the MyComelit app and log in (or create a new account if it is the first time you have accessed it).
2. Select "PEOPLE DOOR ENTRY MONITOR SETUP".



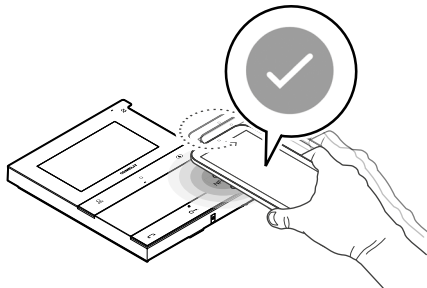
3. Enter the desired user code and press "WRITE".



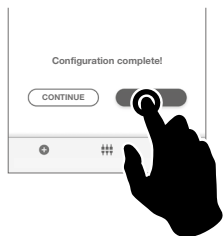
4. Bring your smartphone close to the NFC detection area of the door entry monitor (identified by its label) and make a circular motion until you feel it vibrate.

The vibration indicates that writing is taking place. Hold your smartphone in place until the procedure is complete.

» A tick indicates that writing was successful.



5.A Press "END" to end the user code programming procedure on the door entry monitor.



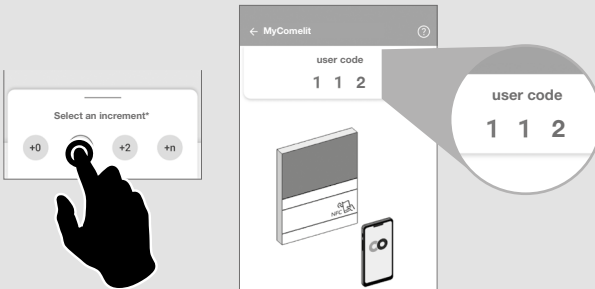
OR

if you want to program the user codes for other door entry monitors in sequence:

5.B Press "CONTINUE".



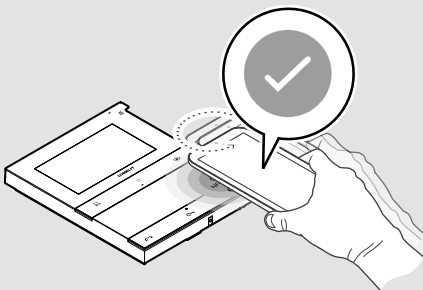
6.B Select the desired increment interval.



7.B Bring your smartphone close to the NFC detection area of the new door entry monitor (identified by its label) and make a circular motion until you feel it vibrate.

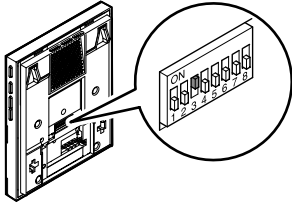
The vibration indicates that writing is taking place. Hold your smartphone in place until the procedure is complete.

» *A tick indicates that writing was successful.*



8.B Repeat step 7.B for each door entry monitor on which you want to program the user code.

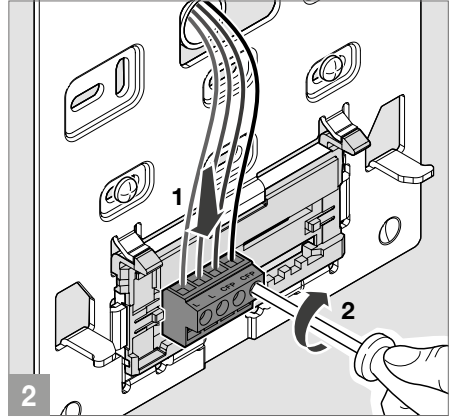
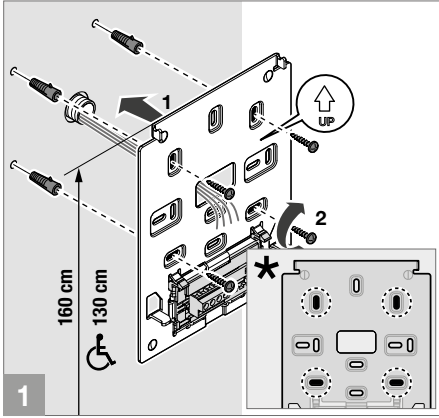
PROGRAMMING THE USER CODE USING THE DIP-SWITCHES



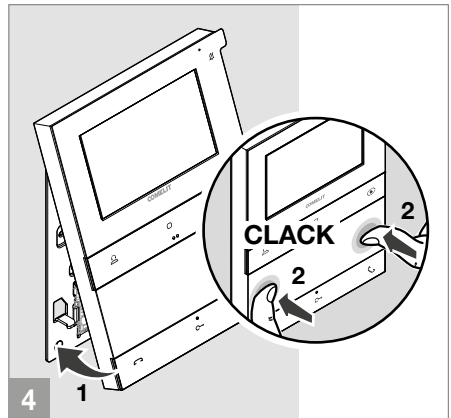
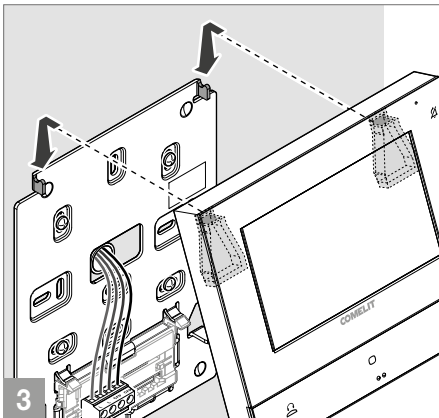
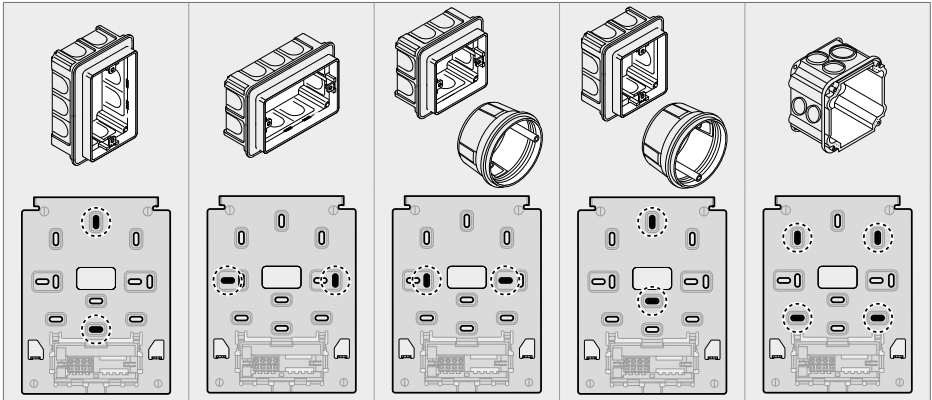
- ▶ Set the DIP-switches to **ON** to program a user code on the door entry monitor, as per Table of user codes.

Example: code 4.

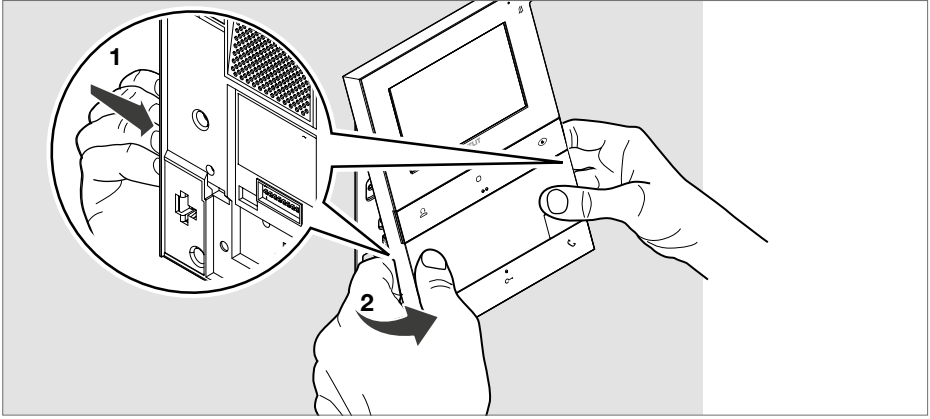
Installation



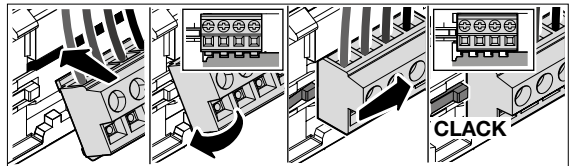
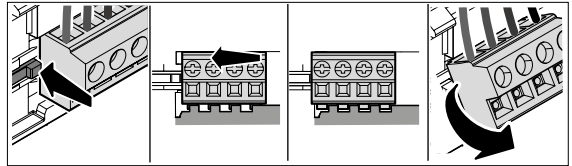
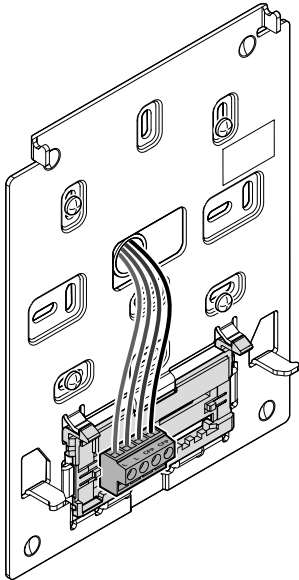
* Fixing points for use when installing in compatible boxes



DISASSEMBLING THE DOOR ENTRY MONITOR




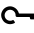


REMOVING AND FITTING THE CONNECTION TERMINALS



Programming

The programmable buttons are supplied factory programmed with the following functions:

			
[CCS]	[ACTG]	[AI]	[AP]
Call to standard switchboard (not available in Kit systems)	Generic actuator	Self activation	Lock-release

The programming of these buttons can be customised:

- Using the **MyComelit app** via a smartphone
- Using the **installer menu** on the door entry monitor



TABLE OF AVAILABLE FUNCTIONS

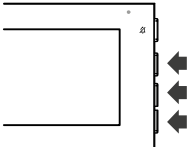
[AI]	Self activation	Real-time viewing of the images from the outdoor entrance panel camera
[ACTG]	Generic actuator	Activation of a generic actuator (art. 1256)
[ACT]	Actuator with code	Activation of an actuator with code (art. 1256)
[CCP]	Call to main switchboard *	Call to main porter switchboard
[CCS]	Standard call to switchboard *	Call to porter switchboard
[INT-I]	Intercom call to the same apartment	Intercom call to the same apartment
[INT-E]	Intercom call to another apartment	Intercom call to another apartment. You must program the [ADDRESS] user code for the apartment you want to call
[CAMG]	Generic remote camera	Viewing of the images from the cameras connected to module art. 1259C or 1409 (generic actuator mode)
[CAM]	Remote camera with code	Viewing of the images from the cameras connected to module art. 1259C or 1409 (actuator with code mode)
[PAN]	Panic call *	Priority call to porter switchboard
[AP]	Lock-release	Door lock activation
[NULL]	No function	

* cannot be used in KIT systems

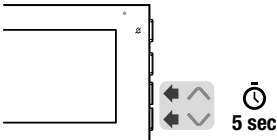
PROGRAMMING VIA INSTALLER MENU

The function associated with the buttons can be changed via the installer menu.

1. Press **one** of the following buttons to access the **user menu**.



2. Press **^** and **v** for 5 sec to access the **installer menu**.



» A confirmation tone will sound and the following screen will appear.

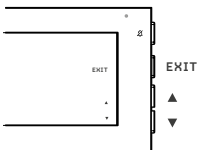
VER: v1.0.0	ADDRESS: 001	
	FUNCTION	ADDRESS
BUTTON 1	CCS	
BUTTON 2	ACTG	
BUTTON 3	AI	
BUTTON 4	AP	
EXIT		

OK





▲

▼

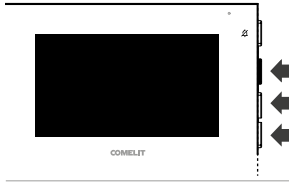
3. Press OK to confirm the selection.
Press **▲** and **▼** to select the buttons, the functions and the addresses you want to program.
When the element is selected, the text will turn green.
4. To exit the installer menu, select **EXIT** or wait for 2 minutes (time-out period) without doing anything.



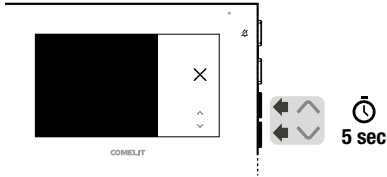
Description of the programming page



VER	Firmware version
ADDRESS	Programmed user code
BUTTON 1	Button 
BUTTON 2	Button 
BUTTON 3	Button 
BUTTON 4	Button 
FUNCTION	Function associated with the button
ADDRESS	Code required for some functions
EXIT	Exit programming

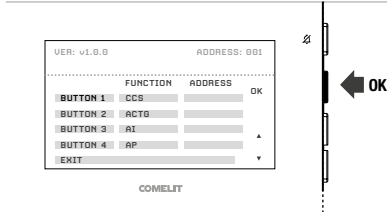
EXAMPLE: PROGRAMMING THE INTERCOM FUNCTION ON THE  BUTTON



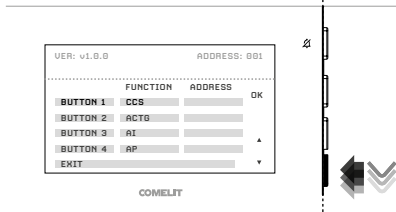
1. Press **one** of the following buttons to access the **user menu**.




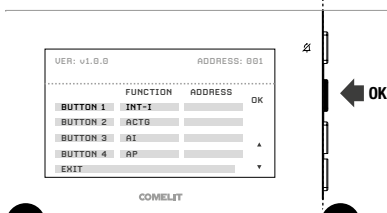
2. Press  and  for 5 sec to access the **installer menu**.
» A confirmation tone will sound and the programming screen will appear.



3. Confirm the selection of **BUTTON 1** by pressing **OK**.



4. Scroll through the menu using  until you have selected the **[INT-I]** or **[INT-E]** function.



5. Confirm the **[INT-I]** or **[INT-E]** function by pressing **OK**.


A **[INT-I]**

To program an intercom call to **all devices in the apartment**.

FUNCTION	ADDRESS	OK
INT-I	001	OK
ACTG		
AI		
AP		

B **[INT-E]**

To program an intercom call to **all devices in another apartment** with a different user code (for example, 3).

► Scroll through the menu using  until the desired code is selected (for example, 003) and confirm by pressing **OK**.

FUNCTION	ADDRESS	OK
INT-E	003	OK
ACTG		
AI		
AP		

PROGRAMMING VIA MYCOMELIT APP

√ *Update the MyComelit App to the latest available version.*

The MyComelit app can be used to program the door entry monitor quickly and easily, even while it is switched off.

The MyComelit app makes it possible to:

- Read all door entry monitor programming.
- Edit and rewrite the programming.
- Create programming offline, save it to your smartphone and then write it on the door entry monitor later.
- Create and save your favourite programming to your smartphone.
- Increase the user code by a configurable value to allow the programming of door entry monitors in sequence.
- Copy the programming of one door entry monitor to another door entry monitor.
- Share the door entry monitor programming with other users (via WhatsApp, etc.) to facilitate technical support.
- ...

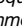
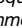
In addition to these functions, the MyComelit app can also be used for the following functions:

- To program the user code (only if it has not been programmed using the DIP-switches, see [Programming the user code via the MyComelit app on page 28](#)).
- To program the functions to be associated with the buttons.
- To program the door entry monitor as main/secondary (see [Main and Secondary Door Entry Monitor on page 38](#)).
- To change the ringtones for:
 - Call from external entrance panel.
 - Floor door call (CFP)
 - Intercom call.
 - Call with range.
- To change the functions associated with the CFP input (see [Functions associated with the CFP input on page 39](#)).
- To program the following functions:
 - Intercom (see [Intercom on page 38](#)).
 - Selective intercom (see [Selective intercom on page 38](#)).
 - Selective group intercom (see [Selective group intercom on page 39](#)).
- To authorise the user to utilise the following functions:
 - “Door opening upon call” (see [Door opening on call on page 23](#)).
 - “Automatic answer” (see [Automatic answer on page 23](#)).
- To program the minimum and maximum call codes for the call range function (see [Call range on page 39](#)).
- To disable the user and/or installer menu on the door entry monitor.
- Disable the “Silent Mode” button or select the ringtones to silence.
- To restore the door entry monitor to its factory programming.

MAIN AND SECONDARY DOOR ENTRY MONITOR

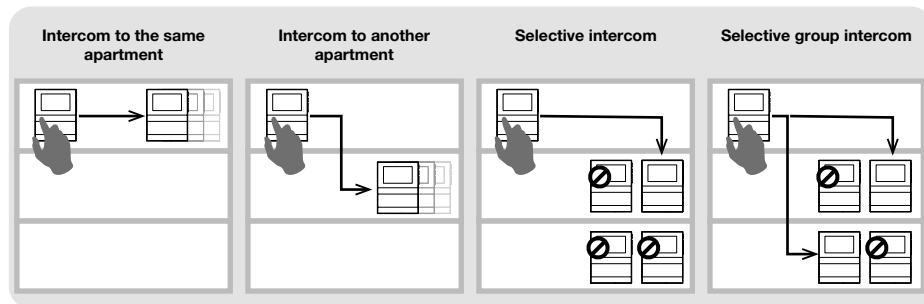
In systems with power supply unit art. 1209, 1 main door entry monitor and 3 secondary door entry monitors can be programmed per apartment.

On receipt of a call from the entrance panel:

- » All door entry monitors ring.
- » The image from the entrance panel appears automatically on the main door entry monitor. Any other secondary door entry monitors in the same family unit will remain off.
- » Video can be requested on the secondary door entry monitor(s) (without answering the call) by pressing the button programmed for self activation (factory set as button ) or by pressing "Start communication" .

INTERCOM FUNCTION

Various types of intercom call can be programmed:



INTERCOM

- **Intercom call to the same apartment**
 - ▶ Program the intercom call [INT-I] to the chosen button in order to call ALL the door entry monitors in the same apartment.
- **Intercom call to another apartment**
 - ▶ On the desired button, program the intercom call [INT-E] to the user code [ADDRESS] for the apartment you want to call, to call ALL door entry monitors in that apartment.

SELECTIVE INTERCOM

- **Selective intercom**

This is an intercom call to a single door entry monitor in the same apartment or another apartment identified by a dedicated intercom code, different from the user code. ONLY that door entry monitor will be called. The intercom code can be programmed from 1 to 8. The same intercom code can be associated with up to 3 door entry monitors.

NOTE: if even a single user programs this function, the intercom code must be programmed on all door entry monitors on the riser, even if they do not use the function!

1. Program the intercom code on the door entry monitor you want to call.
2. On the desired button, program the "selective intercom" function for the intercom code of the door entry monitor you want to call.

- **Selective group intercom**

This is an intercom call to groups of several door entry monitors in the same apartment or another apartment identified by a dedicated intercom code, different from the user code. The door entry monitor button can be programmed with up to 3 different intercom codes to which the call will be made at once. The maximum number of door entry monitors which can ring simultaneously nevertheless remains 3.

1. Program the intercom code on the door entry monitors you want to call.
2. On the desired button, program the “selective group intercom” function for the intercom codes of the door entry monitors you want to call.

NOTE:

intercom and selective intercom CANNOT be programmed in the same system!

FUNCTIONS ASSOCIATED WITH THE CFP INPUT

In addition to the floor door call, other functions can be associated with the CFP input (CFP and CFP terminals):

- Control of a generic actuator or with a code.
- Remote control of lock-release command.

CALL RANGE

The door entry monitor can be programmed to receive calls originating from the outdoor entrance panel and direct calls, to both your own user code and an interval (range) of user codes.




Example:

If the door entry monitor is programmed with user code “1” and the range of user codes from 5 to 7 is also programmed, when the function is enabled it will receive both direct calls to user code “1” and direct calls to user codes 5, 6 and 7.






√ **The user can only activate/deactivate the range of user codes if they have been authorised to do so by the installer, via the MyComelit app.**

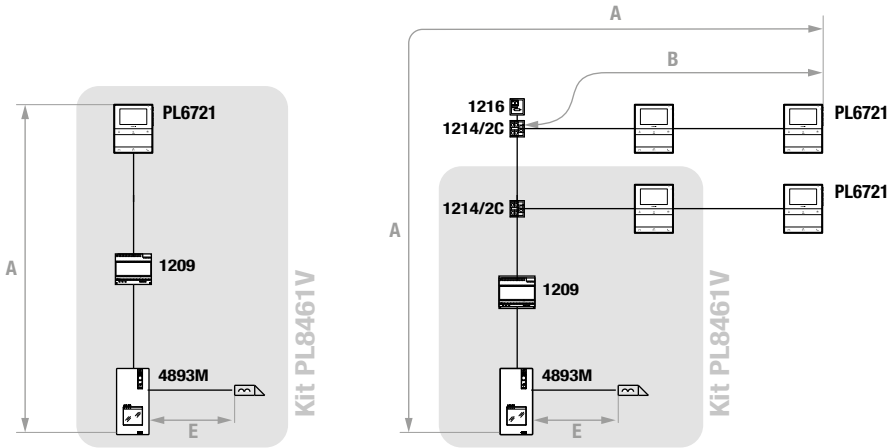
Range activation:

- ▶ Press and hold buttons  and  together for 5 seconds.
 - » *The text “ON” appears on the door entry monitor display for 3 seconds.*
 - » *The  LED flashes to indicate that the function is active.*

Range deactivation:

- ▶ Press and hold buttons  and  together for 5 seconds.
 - » *The text “OFF” appears on the door entry monitor display for 3 seconds.*
 - » *The  LED switches off.*

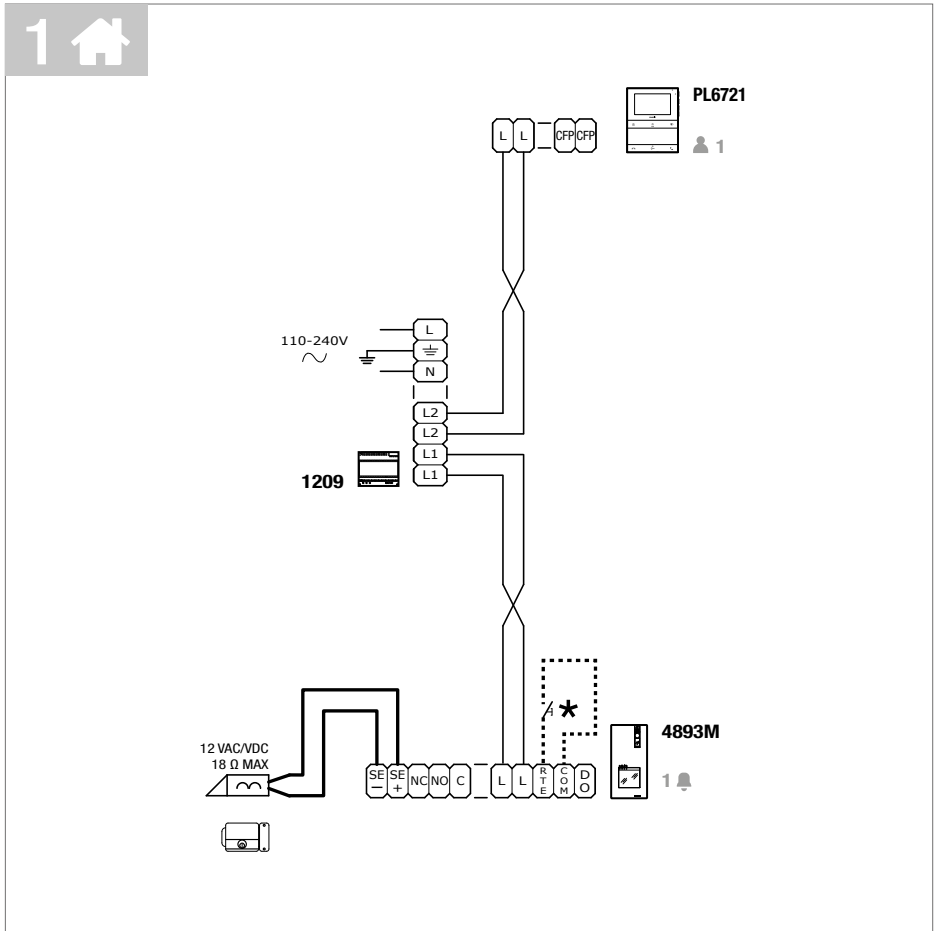
Operating distances



	A MAX	B MAX	E MAX	Art. 1216
Comelit Art. 4577/4579 1 mm ² (Ø 1.2 mm AWG 17) 	200 m (655 feet)	100 m (330 feet)		
UTP5 cat. 5 0.2 mm ² (Ø 0.5 mm AWG 24) 	100 m (330 feet)	60 m (195 feet)		
0.28 mm ² (Ø 0.6 mm AWG 23) 	100 m (330 feet)	60 m (195 feet)		
0.5 mm ² (Ø 0.8 mm AWG 20) 	100 m (330 feet)	60 m (195 feet)		
1 mm ² (Ø 1.2 mm AWG 17) 	100 m (330 feet)	60 m (195 feet)	30 m (98 feet)	
1 mm ² (Ø 1.2 mm AWG 17) 	80 m (260 feet)	40 m (130 feet)		
1.5 mm ² (Ø 1.4 mm AWG 15) 	100 m (330 feet)	60 m (195 feet)	50 m (164 feet)	
UTP5 cat. 5 0.2 mm ² (Ø 0.5 mm AWG 24) MULTI PAIR CABLE				
	200 m (655 feet)	70 m (230 feet)		

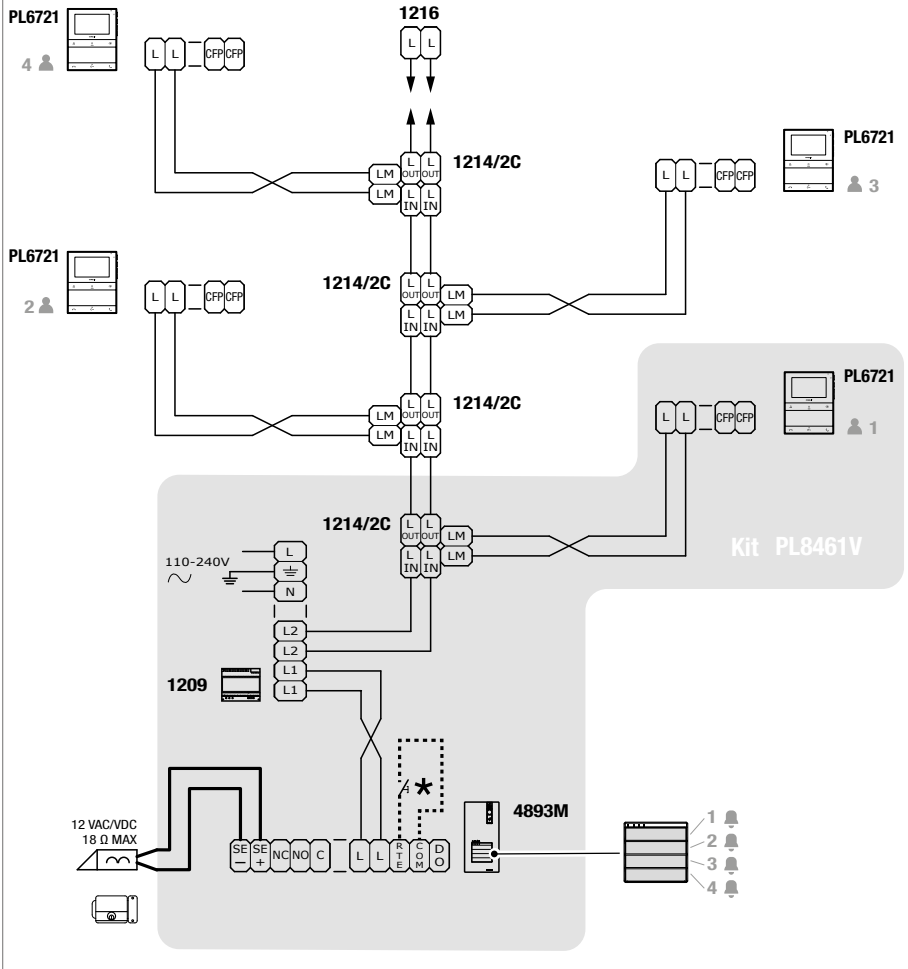
UTP cable with multi-cable connection: FOLLOW THE COLOURS SHOWN IN THE DIAGRAM!

Wiring diagrams



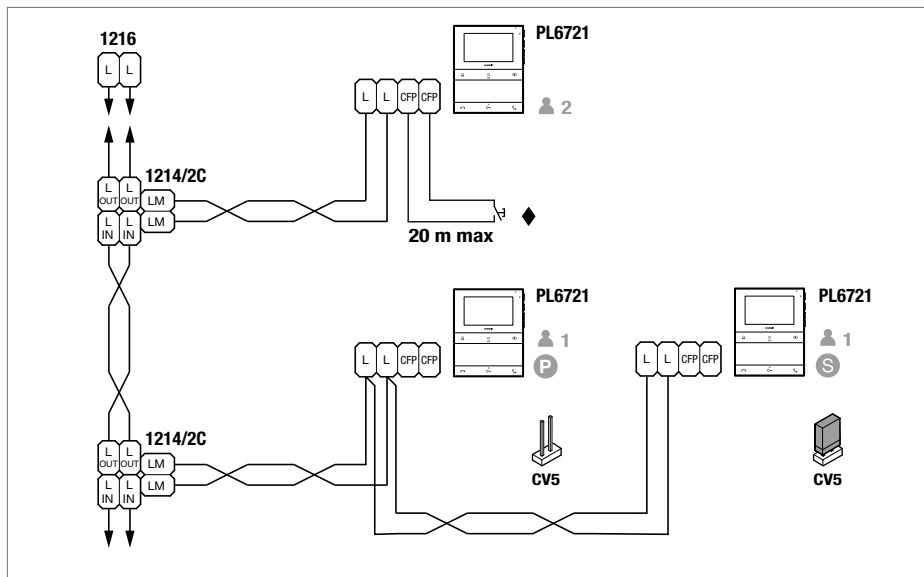
* Max. 20 m. Local door-opener button.

4



***** Max. 20 m. Local door-opener button.

System expansion diagrams

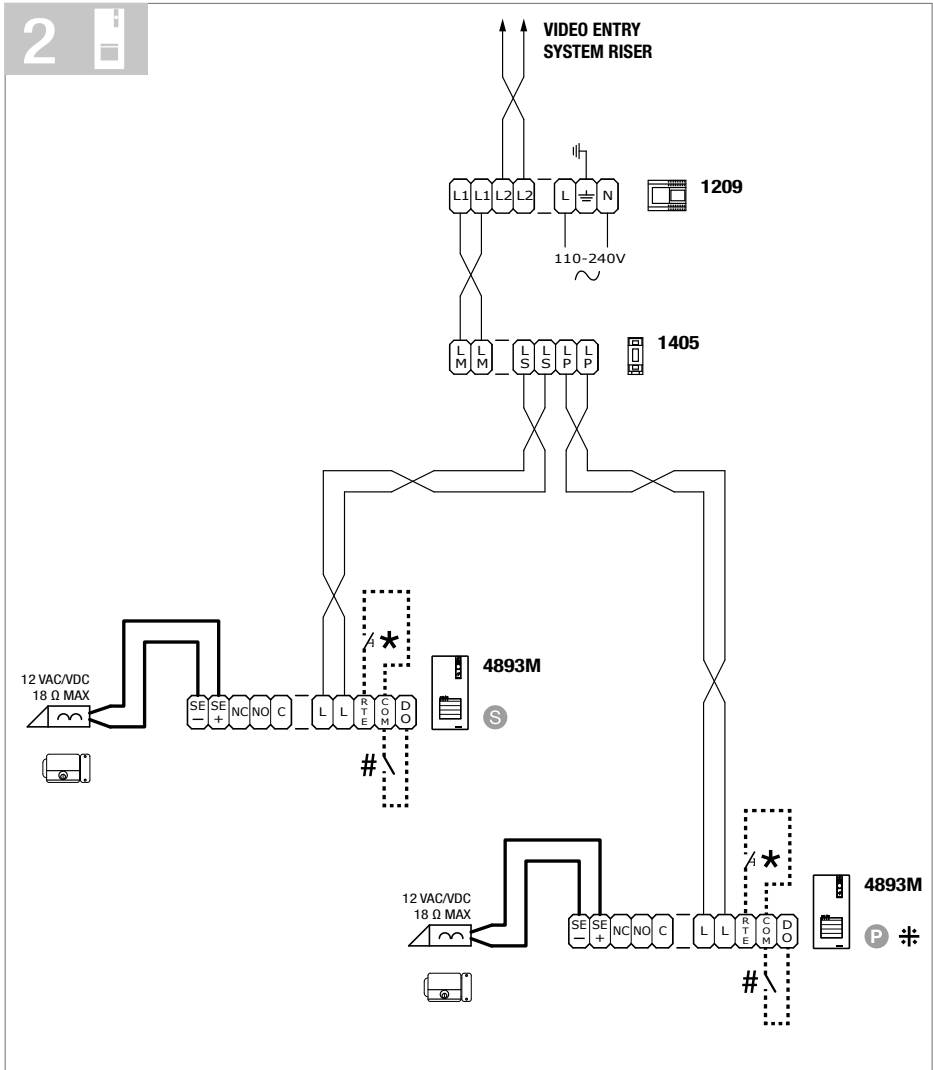


P **S** In systems with power supply unit art. 1209, a maximum of 1 main door entry monitor (**P**) and 3 secondary door entry monitors (**S**) can be programmed for each apartment.

To program the door entry monitor as secondary, use the MyComelit app via NFC.

◆ CFP floor door call input.

Where multiple door-entry phones or door entry monitors have the same user code, connect the CFP button on one only; all the devices will ring simultaneously.



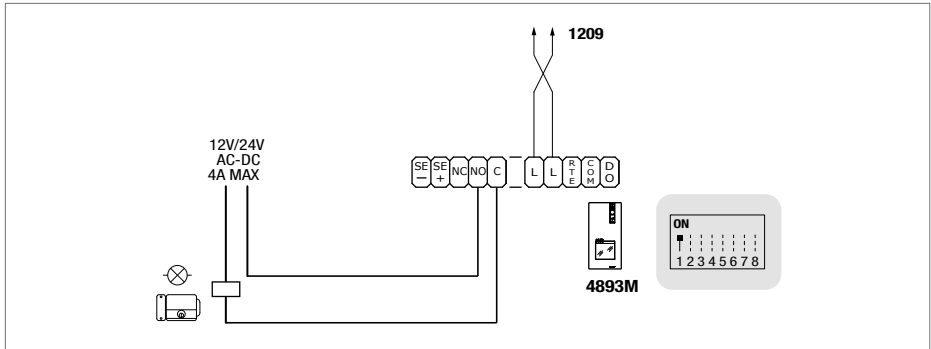
P S To program the entrance panel as **Main** or **Secondary**, refer to Programming an additional entrance panel.

***** Max 20 m. Local door-opener button.

N.C. contact for door open indication.

⚡ Door open indication not available.

Using the entrance panel relay on generic actuator control



“C.NC.NO relay activation time: 2 sec.” (default)

- ▶ Set DIP switch 1 to ON permanently (as shown in the figure, see [Entrance panel settings on page 12](#)).



CERTIFIED MANAGEMENT SYSTEMS



www.comelitgroup.com

Via Don Arrigoni, 5 - 24020 Rovetta (BG) - Italy

1st edition 09/2023
code 2G40003169