

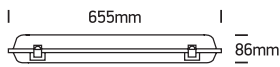
# INSTALLATION MANUAL

38218E, 38236E, 38258E

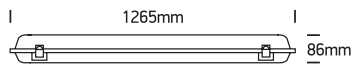


100-240V | 2xT8 LED | IP65 | PC + PC

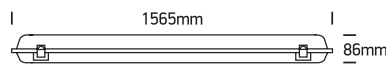
38218E



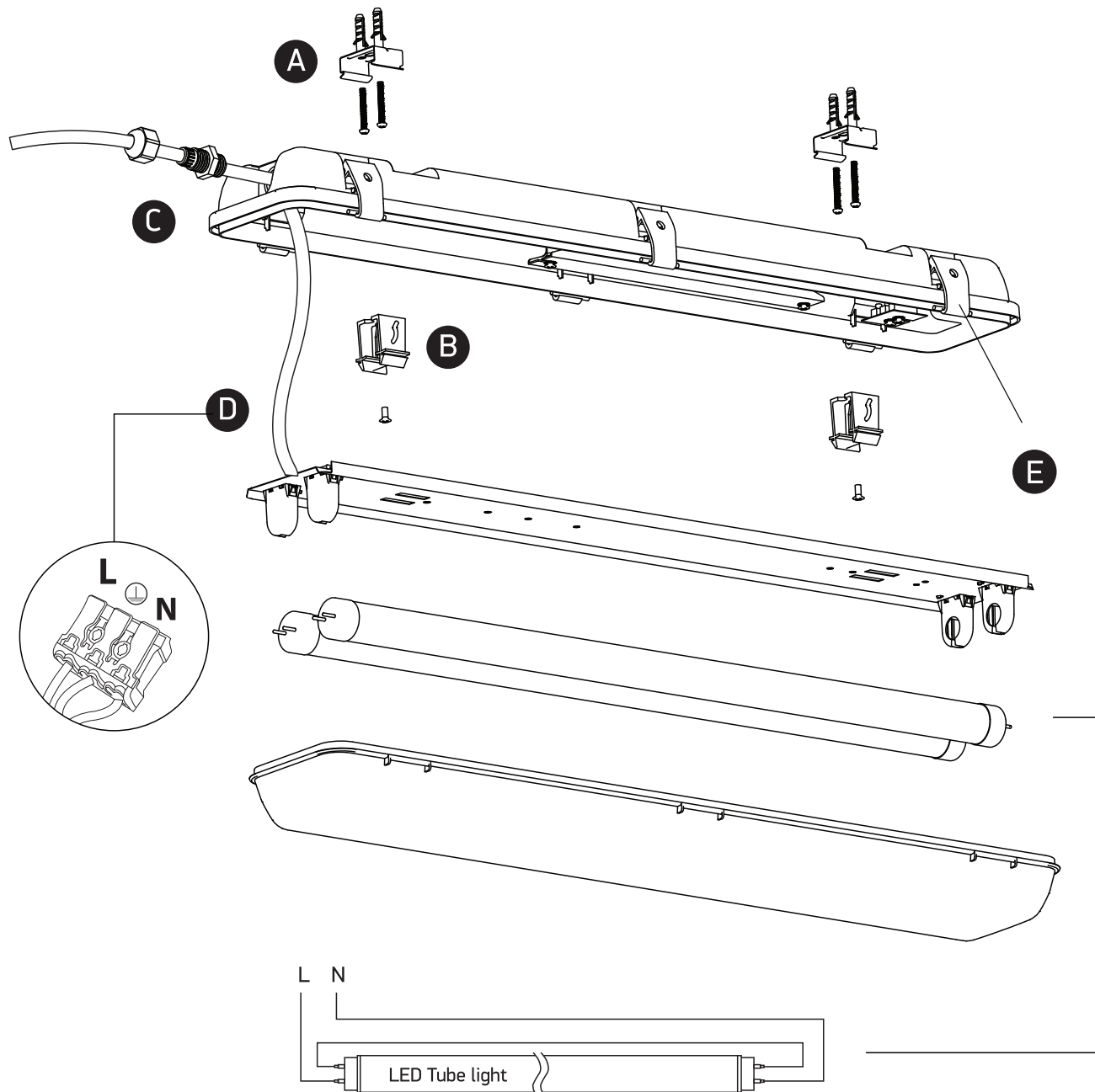
38236E



38258E



one  
LIGHT



Wiring diagram.

## Warnings:

1. Make sure that the product is installed properly before connecting to electricity.
2. Do not cover the fitting.
3. Maintenance and installation should only be carried out by a professional electrician.