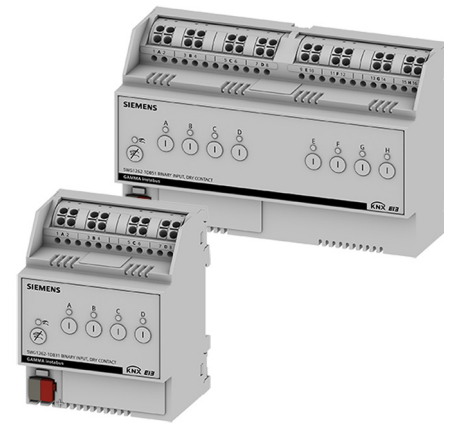


SIEMENS

Binary input device (dry contacts)
 Binäreingangstyp (potentialfrei)
 Type d'entrée binaire (sans potentiel)
 Tipo de entrada binaria (libre de potencial)
 Tipo di ingresso binario (a potenziale zero)
 tipo de entrada binária (sem potencial)
 İkili giriş tipi (potansiyelsiz)
 Тип двоичного ввода (беспотенциальный)
 Binair invoertype (potentiaalvrij)
 二进制输入类型 (无电势)



5WG1262-1DB31
 5WG1262-1DB51



Operating Instructions Betriebsanleitung Notice d'utilisation Instructivo Istruzioni operative
 Instruções de Serviço İşletme kılavuzu Руководство по эксплуатации Bedieningshandleiding 使用说明



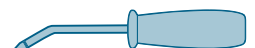
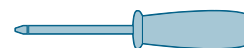
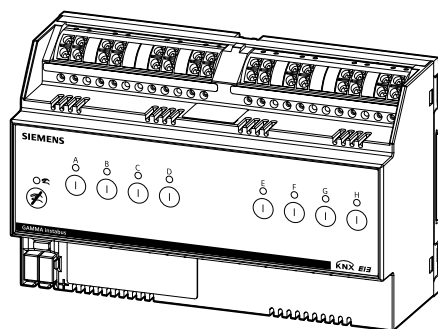
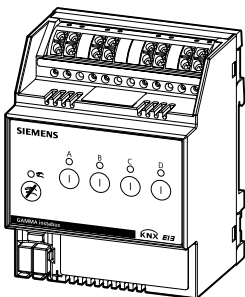
Contents / Lieferumfang / Etendue de la livraison /
 Contenido / 供货范围

Required tools / Notwendige Werkzeuge /
 Outils nécessaires / Herramientas requeridas / 必要工具



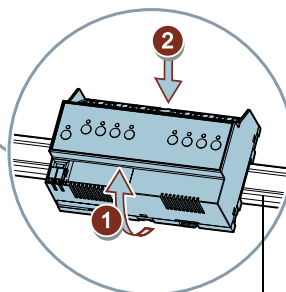
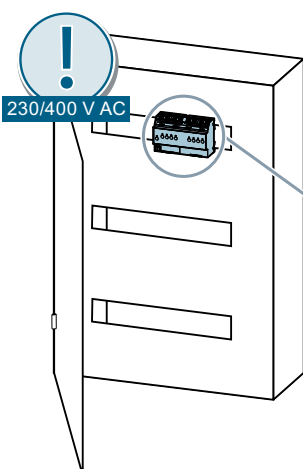
5WG1262-1DB31

5WG1262-1DB51

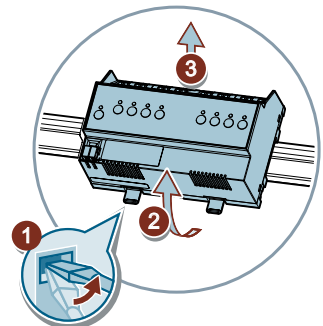
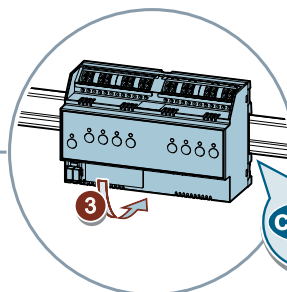


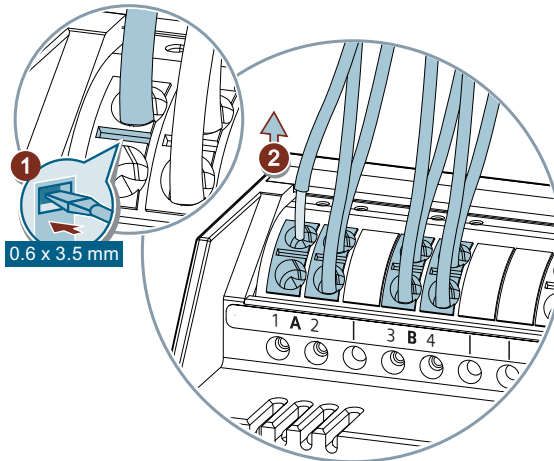
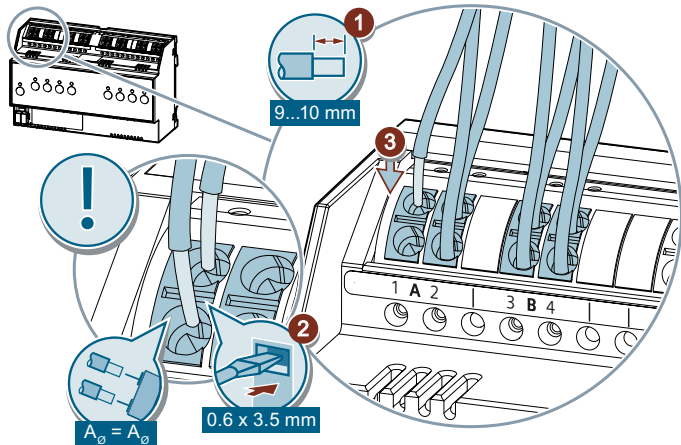
Assembly / Montage / Montage /
 Montaje / 安装

Removal / Demontage / Démontage /
 Desmontaje / 拆卸

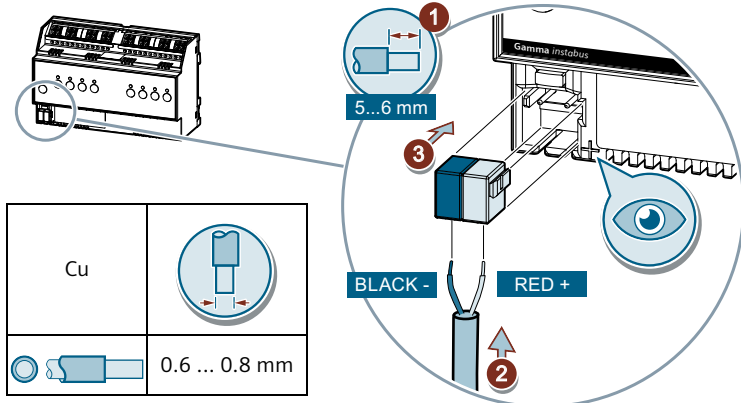
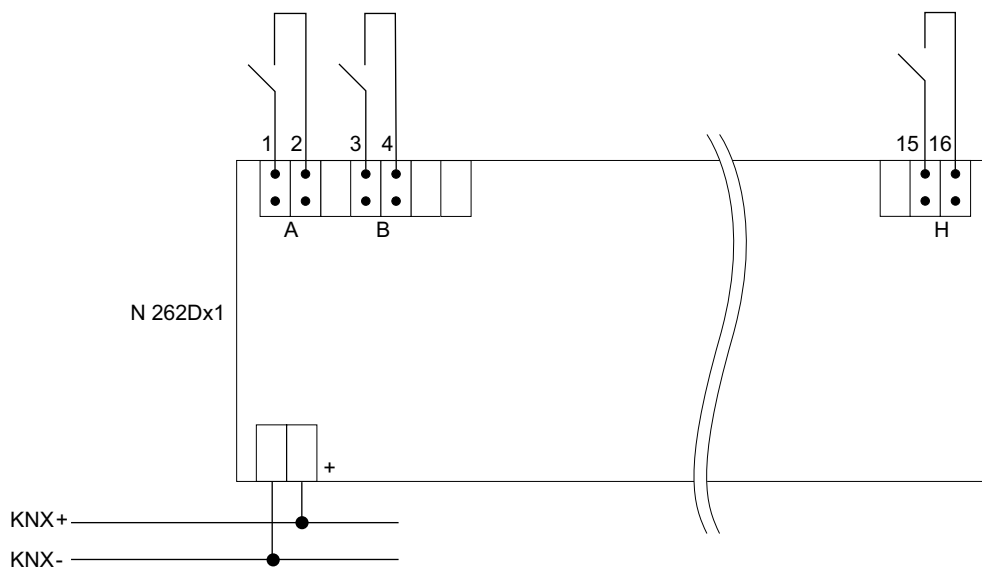
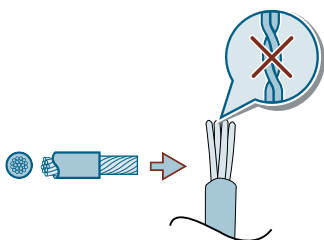


EN 60715-TH35

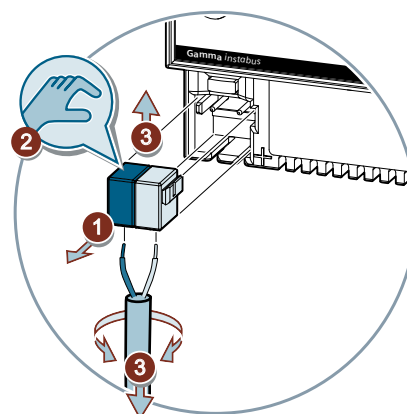




| | |
|----|-----------------------------|
| Cu | |
| | 0.5 ... 2.5 mm ² |
| | 2.5 mm ² |

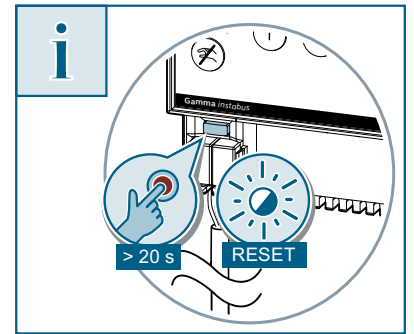
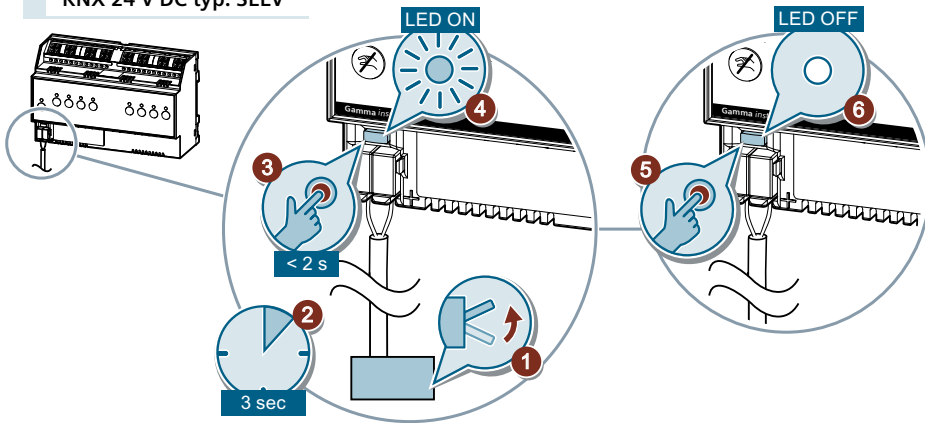


| | |
|----|----------------|
| Cu | |
| | 0.6 ... 0.8 mm |

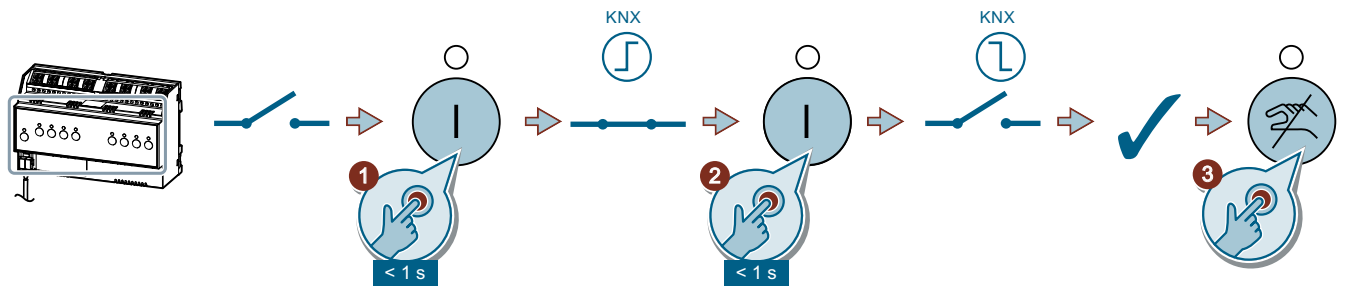
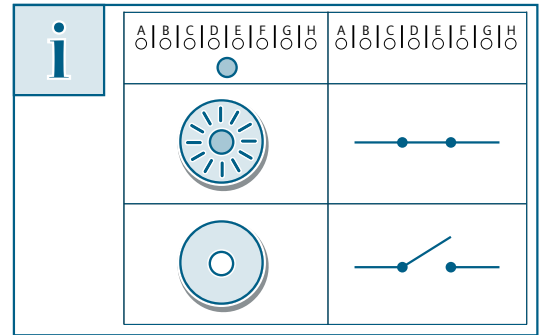
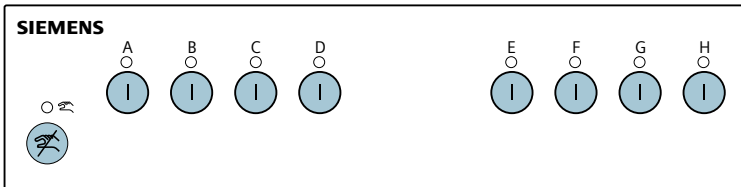




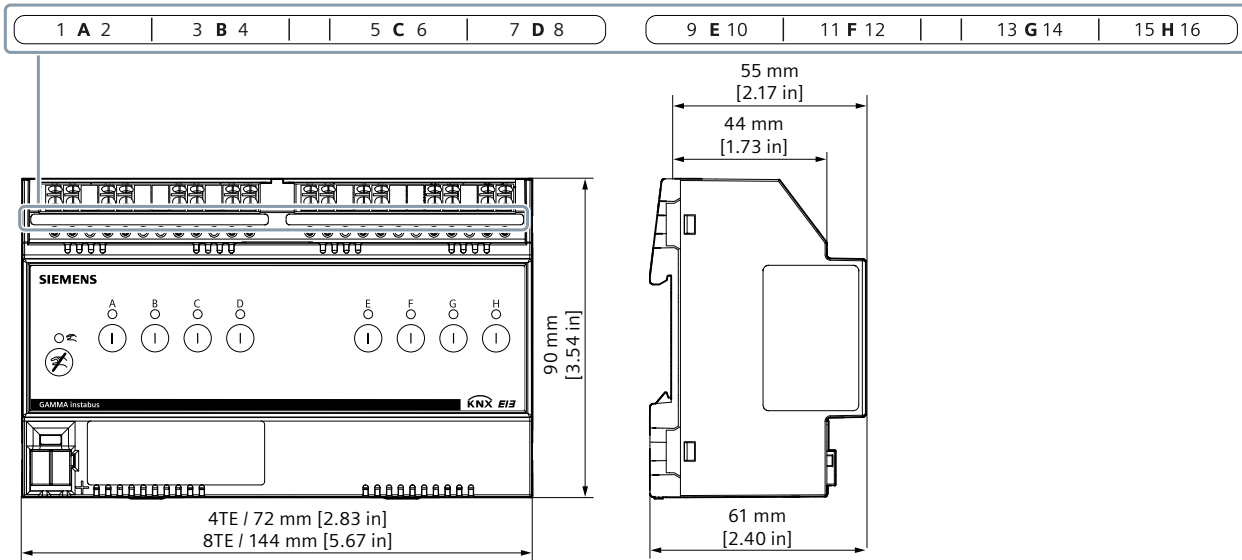
KNX 24 V DC typ. SELV



A|B|C|D|E|F|G|H



| | | | |
|-------------------------------|---|---|---|
| | 1 | 2 | 3 |
| A B C D E F G H | | | |
| | | | |



Technical Documentation:
<http://www.siemens.com/gamma-td>



Technical Support
<http://www.siemens.com/supportrequest>



FAQ:
<https://support.industry.siemens.com/cs/ww/en/ps/faq>

