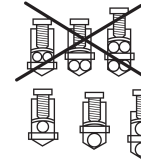


mm <sup>2</sup>	AWG	
1 x (0.75 - 16)	1 x (18 - 6)	3.2 Nm (28 lb-in)
2 x (0.75 - 10)	2 x (18 - 8)	
1 x (0.75 - 16)		
2 x (0.75 - 10)		
1 x 16		



10 mm (0.39")



A1/A2  
13/14  
21/22

**LTD... LTZO...**

mm <sup>2</sup>	mm <sup>2</sup>	AWG	
1 x (0.75 - 2.5)	1 x (0.75 - 2.5)	18 - 14	1.2 Nm (10.6 lb-in)
2 x (0.75 - 2.5)	2 x (0.75 - 2.5)		
1 x (0.75 - 2.5)	1 x (0.75 - 2.5)		
2 x (0.75 - 2.5)	2 x (0.75 - 2.5)		
1 x (0.75 - 2.5)			
2 x (0.75 - 2.5)			

**LTZ1...**

mm <sup>2</sup>	
1 x (0.75 - 1.5)	
2 x (0.75 - 1.5)	

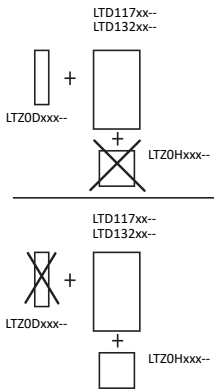


www.Schrack.com

**LTD117xx--  
LTD132xx--**

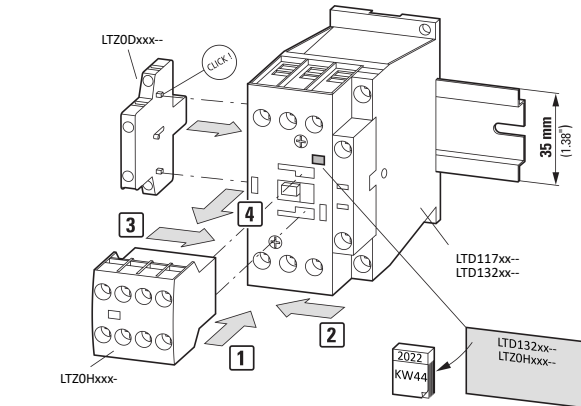
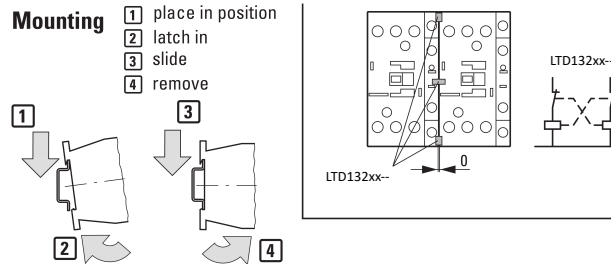
**LTZOHxxx--  
LTZODxxx--**

Auxiliary contact module

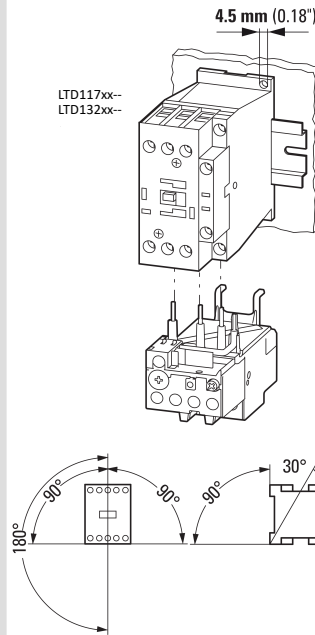


**Mounting**

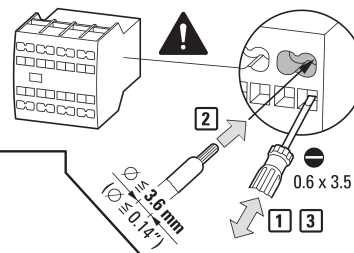
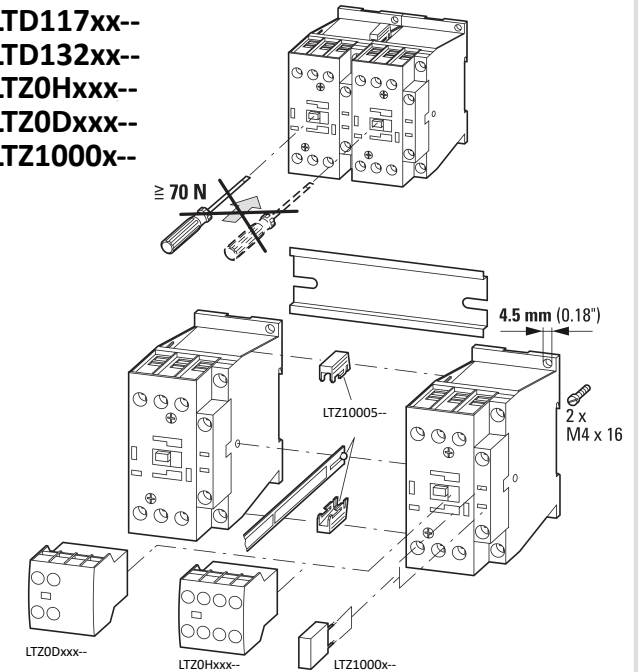
- 1 place in position
- 2 latch in
- 3 slide
- 4 remove



**Mounting position**



**LTD117xx--  
LTD132xx--  
LTZOHxxx--  
LTZODxxx--  
LTZ1000x--**



**DANGER**

The opening of the branch-circuit protective device may be an indication that a fault has been interrupted. To reduce the risk of fire or electrical shock, current-carrying parts and other components of the controller should be examined and replaced if damaged. If burnout of the element of an overload relay occurs, the complete overload relay must be replaced.

**LTD...  
LTZ...**