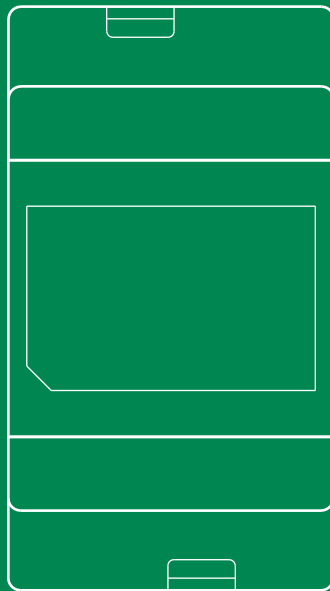


EN

TECHNICAL  
MANUAL



Transformer  
Art. 1200

 **Comelit**<sup>®</sup>  
Passion. Technology. Design.

# Warning

## Intended use

This Comelit product was designed for use in the creation of audio and video communication systems in residential, commercial or industrial settings and in public buildings or buildings used by the public.

## Installation

All activities connected to the installation of Comelit products must be carried out by qualified technical personnel, with careful observation of the indications provided in the Manuals / Instruction sheets supplied with those products.

## Wires

Cut off the power supply before carrying out any maintenance procedures.

Use wires with a cross-section suited to the distances involved, observing the instructions provided in the system manual.

We advise against running the system wires through the same duct as the power cables (230V or higher).

## Safe usage

To ensure Comelit products are used safely:

- carefully observe the indications provided in the Manuals / Instruction sheets
- make sure the system created using Comelit products has not been tampered with / damaged.

## Maintenance

Comelit products do not require maintenance aside from routine cleaning, which should be carried out in accordance with the indications provided in the Manuals / Instruction sheets.

Any repair work must be carried out

- for the products themselves, exclusively by **Comelit Group S.p.A.**,
- for systems, by qualified technical personnel.

## Disclaimer

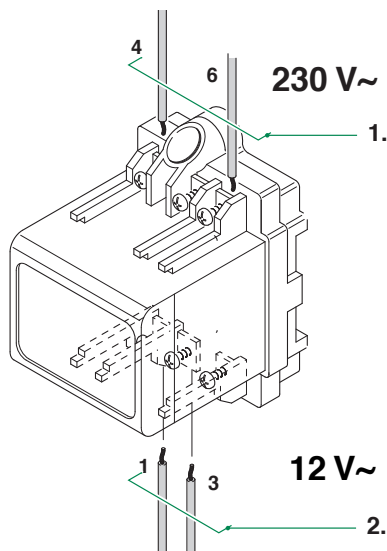
**Comelit Group S.p.A.** does not assume any responsibility for

- any usage other than the intended use
- non-observance of the indications and warnings contained in this Manual / Instruction sheet.

**Comelit Group S.p.A.** nonetheless reserves the right to change the information provided in this Manual / Instruction sheet at any time and without prior notice.

# Description

Transformer with 230V primary, 12V AC / 15 VA secondary winding for continuous use. Dimensions: 53x95x65 mm (3 DIN modules).



1. 230 V AC digital input.
2. Secondary 12 V AC output.



**A suitable omnipolar switch with a contact opening of at least 3mm must be installed upstream of the video entry phone system.**

- Disconnect the power supply before carrying out any operations on the wiring.
- Replace the protections on the terminals.
- Do not obstruct the ventilation and cooling slots or apertures.

## Technical features

### MAIN FEATURES

Alternating input voltage (VAC)	230
Alternating output voltage (Vac)	12
Applicable to DIN rail	Yes
Number of DIN modules	3
Max. current delivered (A)	0.90

### GENERAL DATA

Product height (mm)	95
Product width (mm)	53
Depth (mm)	65
Type of finish	Plastic
Product colour	Black
Operating temperature (°C)	-5 ÷ 40

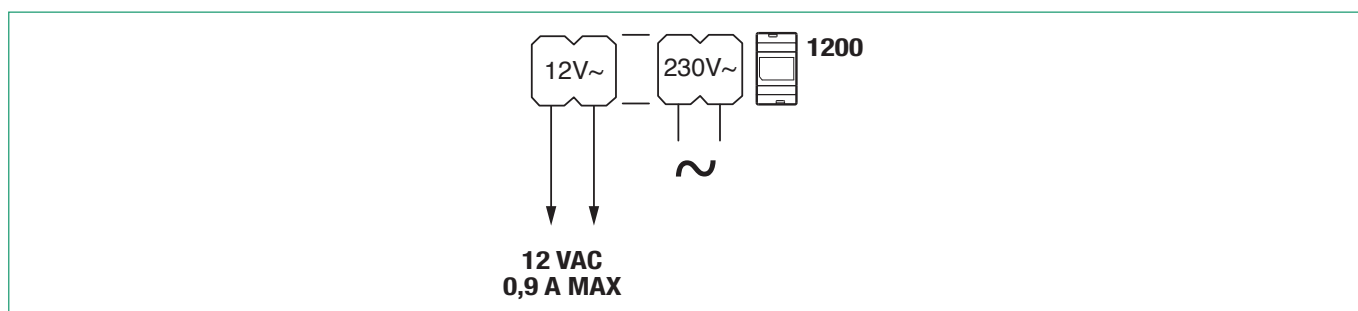
### COMPATIBILITY

Simplebus Top audio/video system	Yes
Building Kit audio/video system	Yes
Simplebus 2 audio system	Yes
Simplebus 1 audio system	Yes
Vip system	Yes
Kit audio/video system	Yes
Traditional system	Yes
Simplified system	Yes

### ELECTRICAL SPECIFICATIONS

Maximum power delivered (W)	15
-----------------------------	----

## Connection



CERTIFIED MANAGEMENT SYSTEMS



[www.comelitgroup.com](http://www.comelitgroup.com)

Via Don Arrigoni, 5 - 24020 Rovetta (BG) - Italy

