

# SIEMENS

Binary input device (AC/DC 10...230 V)

Binäreingangstyp (AC/DC 10...230 V)

Type d'entrée binaire (CA/CC 10...230 V)

Tipo de entrada binaria (CA/CC 10-230 V)

Tipo di ingresso binario (AC/DC 10...230 V)

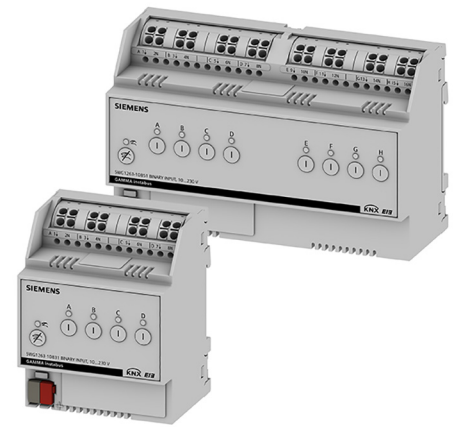
Tipo de entrada binária (CA/CC 10...230 V)

İkili giriş tipi (AC/DC 10...230 V)

Тип двоичного ввода (перем./пост. ток 10...230 В)

Binair invoertype (AC/DC 10...230 V)

二进制输入类型 (AC/DC 10...230 V)



5WG1263-1DB31

5WG1263-1DB51



Operating Instructions Betriebsanleitung

Instruções de Serviço İşletme kılavuzu

Notice d'utilisation

Руководство по эксплуатации

Instructivo

Bedieningshandleiding

Istruzioni operative

使用说明



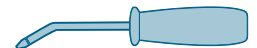
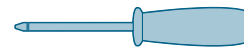
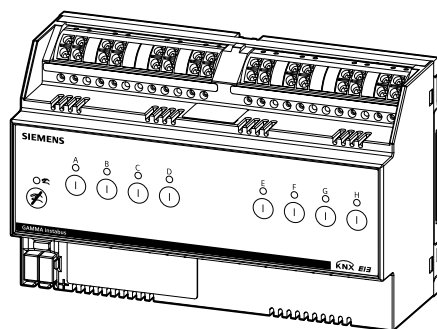
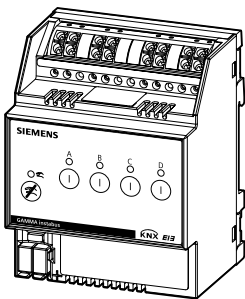
Contents / Lieferumfang / Etendue de la livraison /  
Contenido / 供货范围

Required tools / Notwendige Werkzeuge /  
Outils nécessaires / Herramientas requeridas / 必要工具



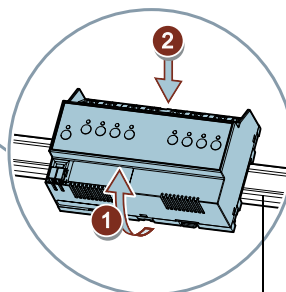
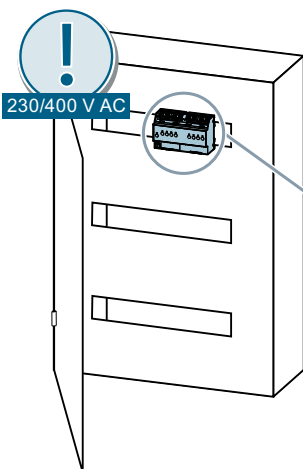
5WG1263-1DB31

5WG1263-1DB51

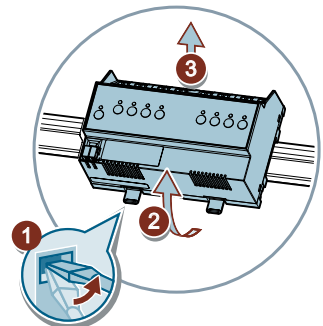
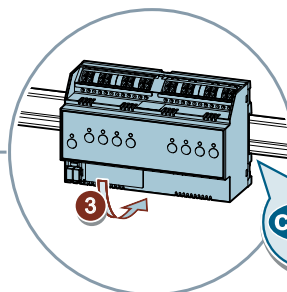


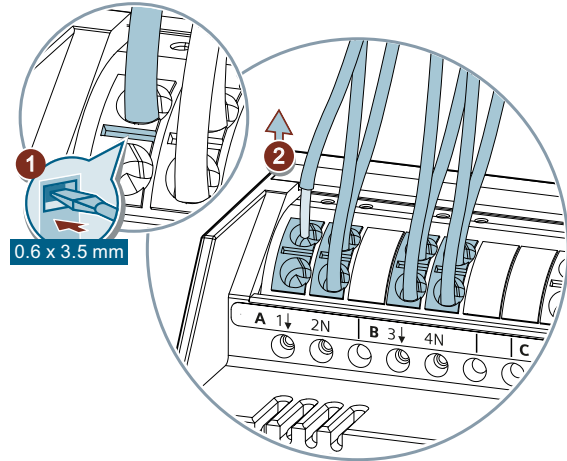
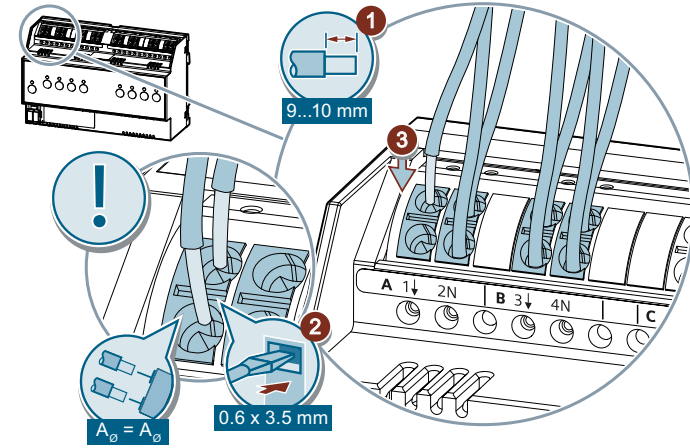
Assembly / Montage / Montage /  
Montaje / 安装

Removal / Demontage / Démontage /  
Desmontaje / 拆卸

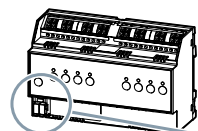
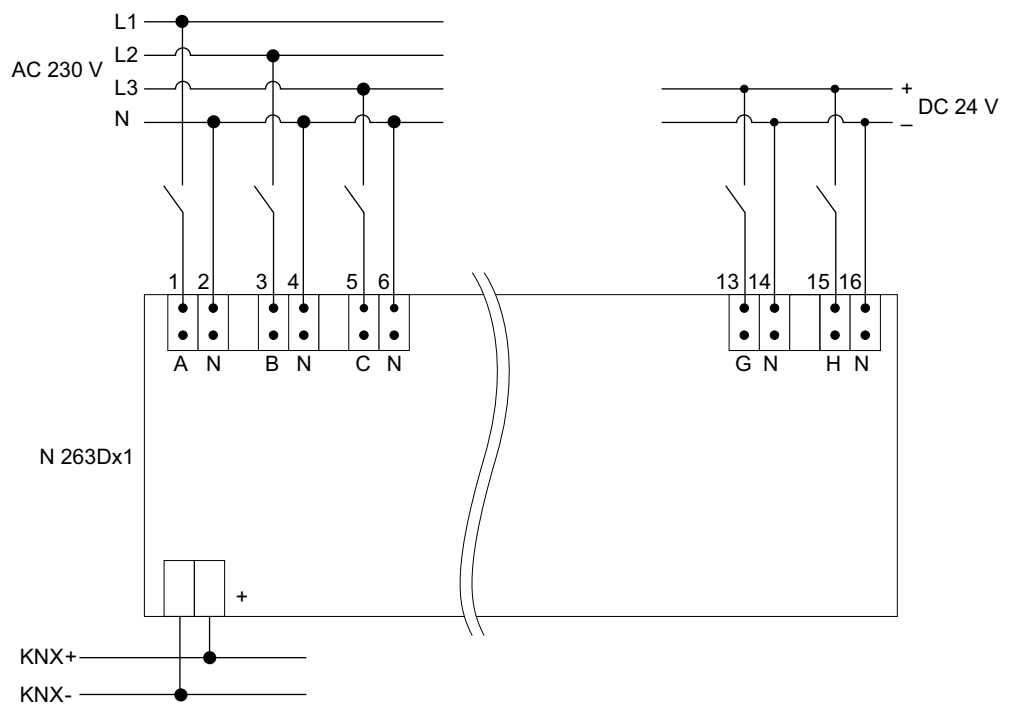
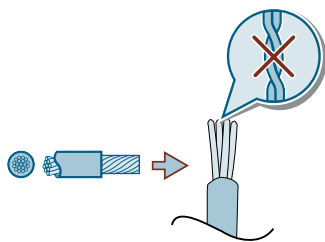


EN 60715-TH35

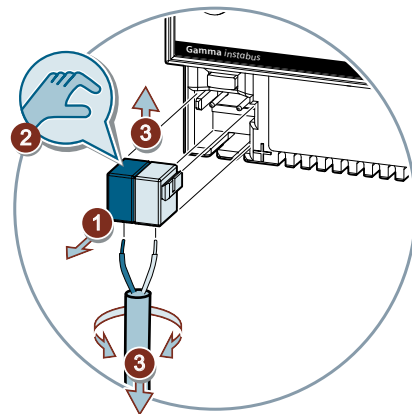
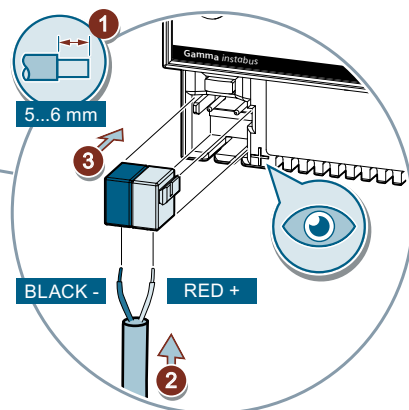




Cu	
	0.5 ... 2.5 mm <sup>2</sup>
	2.5 mm <sup>2</sup>

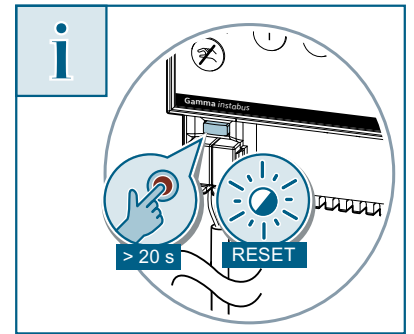
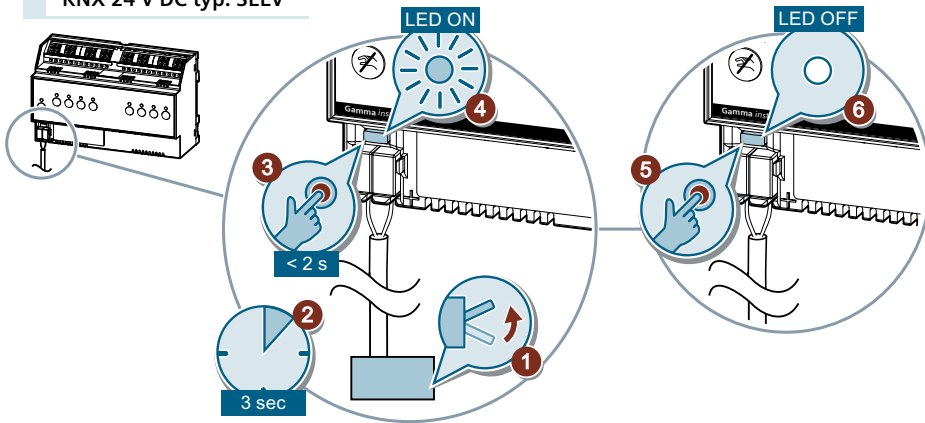


Cu	
	0.6 ... 0.8 mm

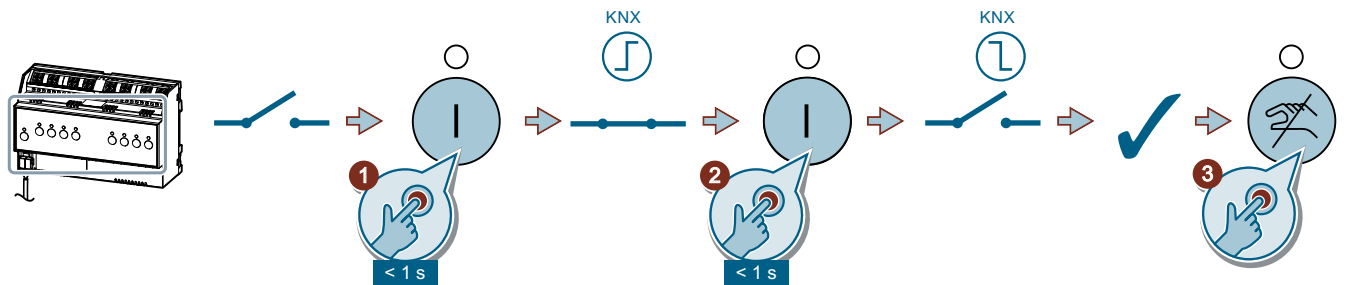
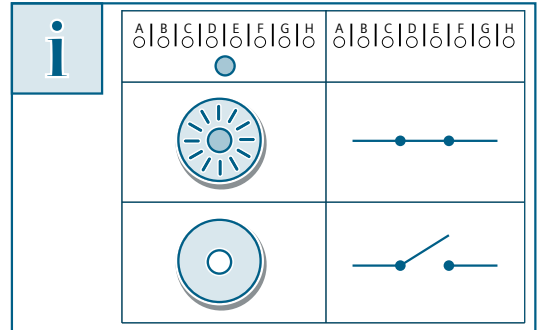
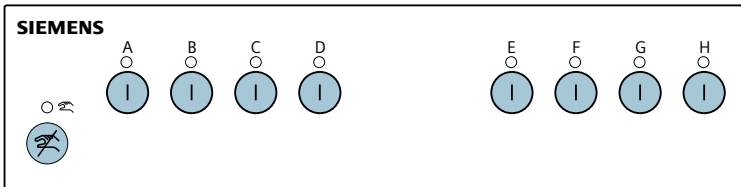




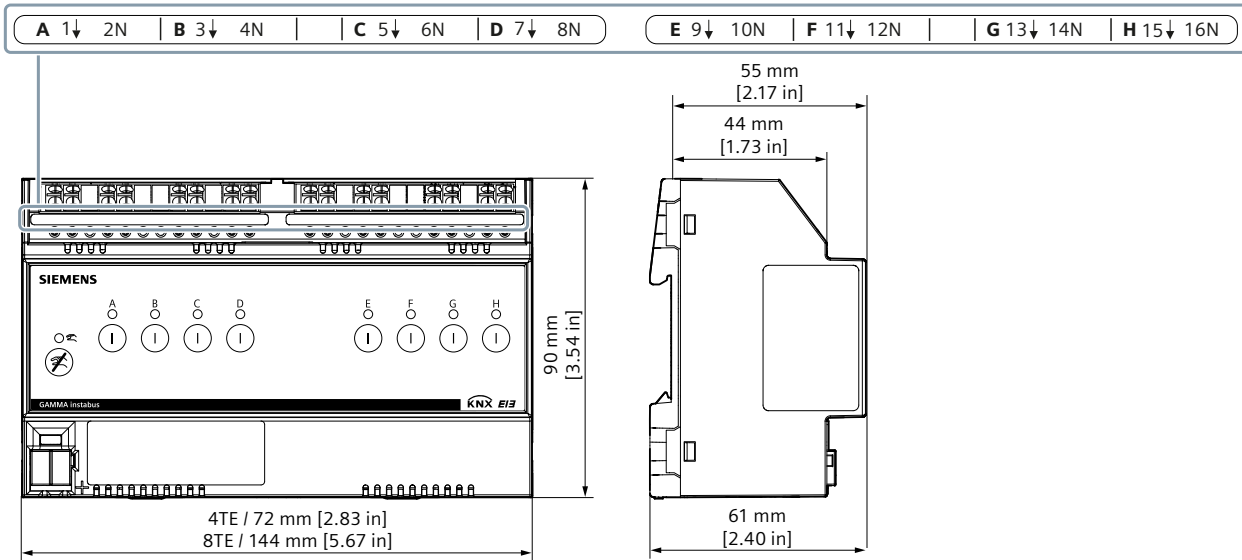
KNX 24 V DC typ. SELV



A|B|C|D|E|F|G|H



A	B	C	D	E	F	G	H			



Technical Documentation:  
<http://www.siemens.com/gamma-td>



Technical Support  
<http://www.siemens.com/supportrequest>



FAQ:  
<https://support.industry.siemens.com/cs/ww/en/ps/faq>

