

Inverter Quick Installation Guide

This installation guide is applicable to R6-15K/17K/20K/22K/25K-T2-32, R6-25K-T2-32-B, R6-25K/30K/33K/36K-T3-32, R6-25K/30K-T3-32-B, R6-36K/40K/50K-T4-32, R6-5K/6K/8K/10K/15K-T2-32-LV, R6-20K-T3-32-LV, R6-25K/30K-T4-32-LV grid-tied inverter.

1、 Installation ways and gaps

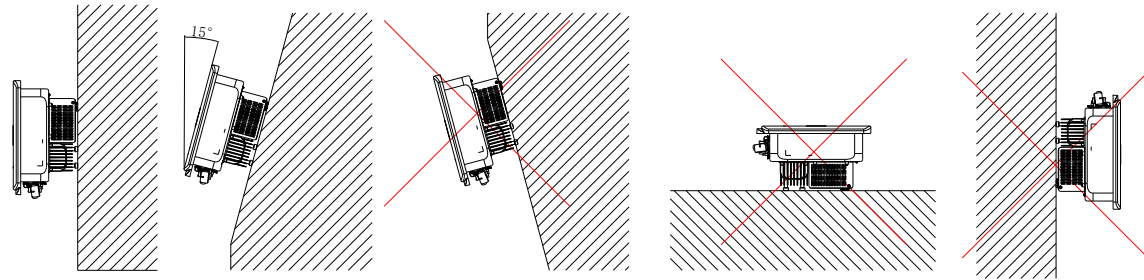


Fig. 1.1 Installation ways

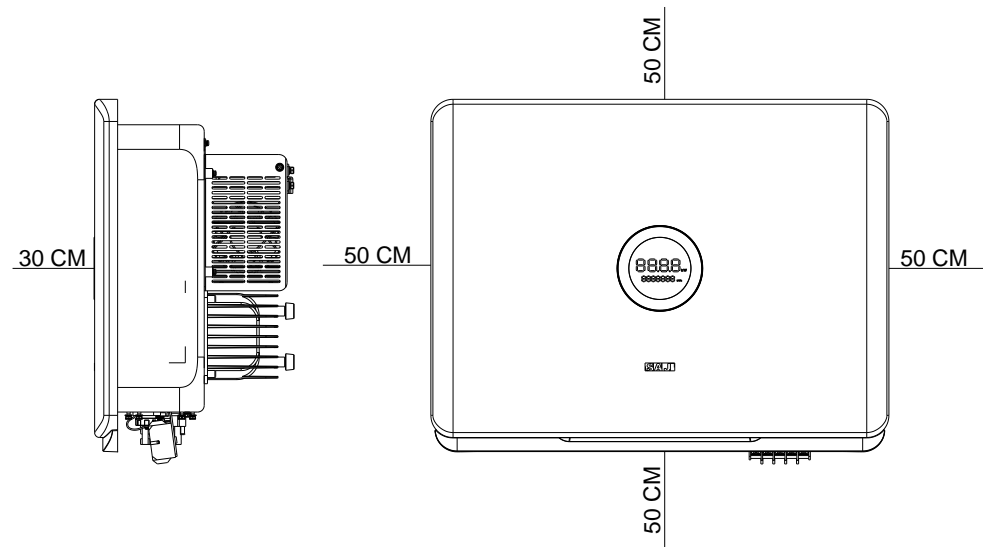


Fig. 1.2 Installation gaps

2、 Hanging panel size and drill hole

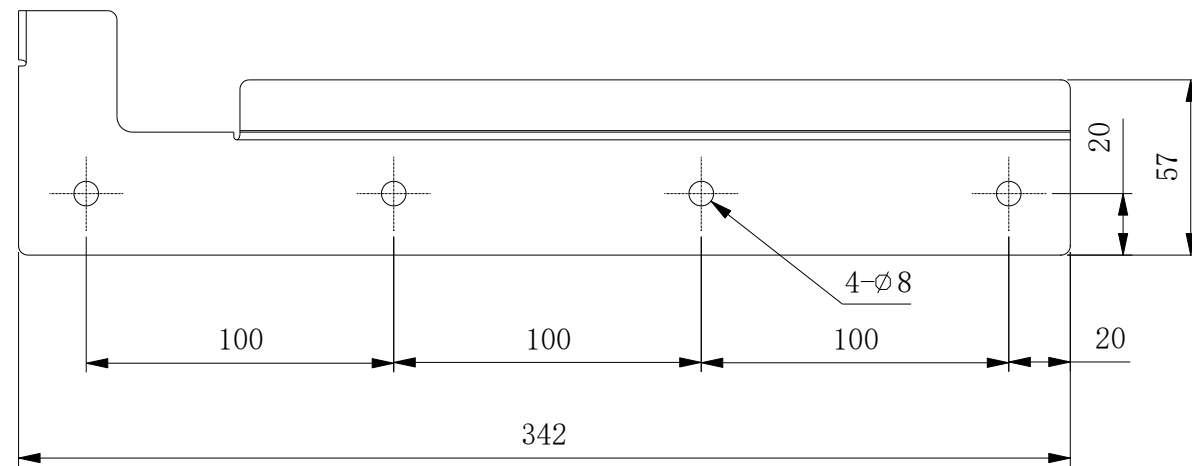


Fig. 2.1 R6-15K/17K/20K/22K/25K-T2-32, R6-25K-T2-32-B, R6-5K/6K/8K/10K/15K-T2-32-LV hanging panel size

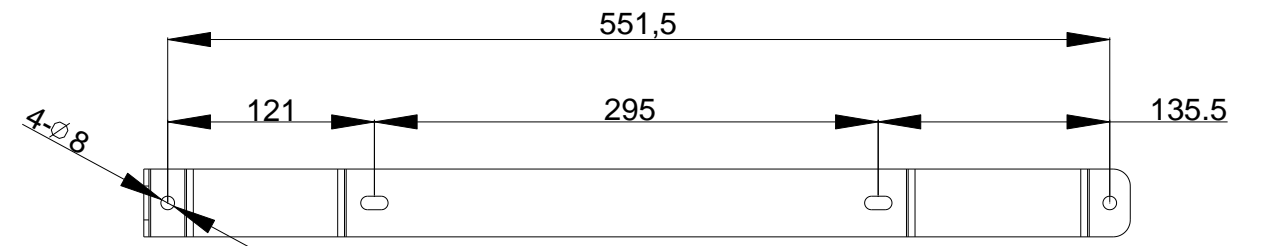


Fig. 2.2 R6-25K/30K/33K/36K-T3-32, R6-25K/30K-T3-32-B, R6-36K/40K/50K-T4-32, R6-20K-T3-32-LV, R6-25K/30K-T4-32-LV hanging panel size

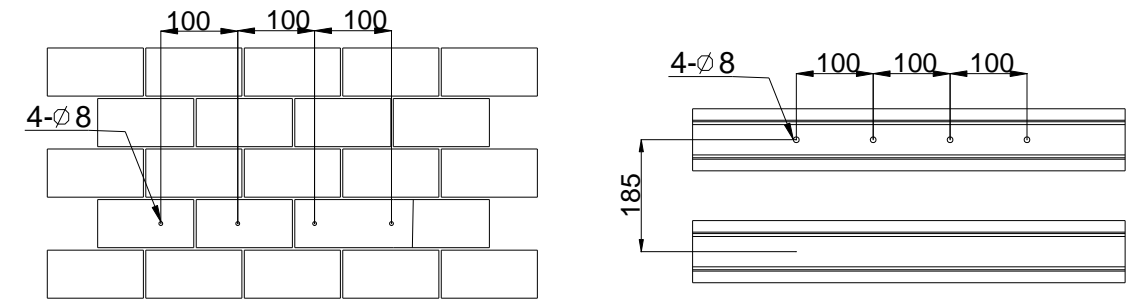


Fig. 2.3 Position of installing hole on hanging panel for R6-15K/17K/20K/22K/25K-T2-32, R6-5K/6K/8K/10K/15K-T2-32-LV

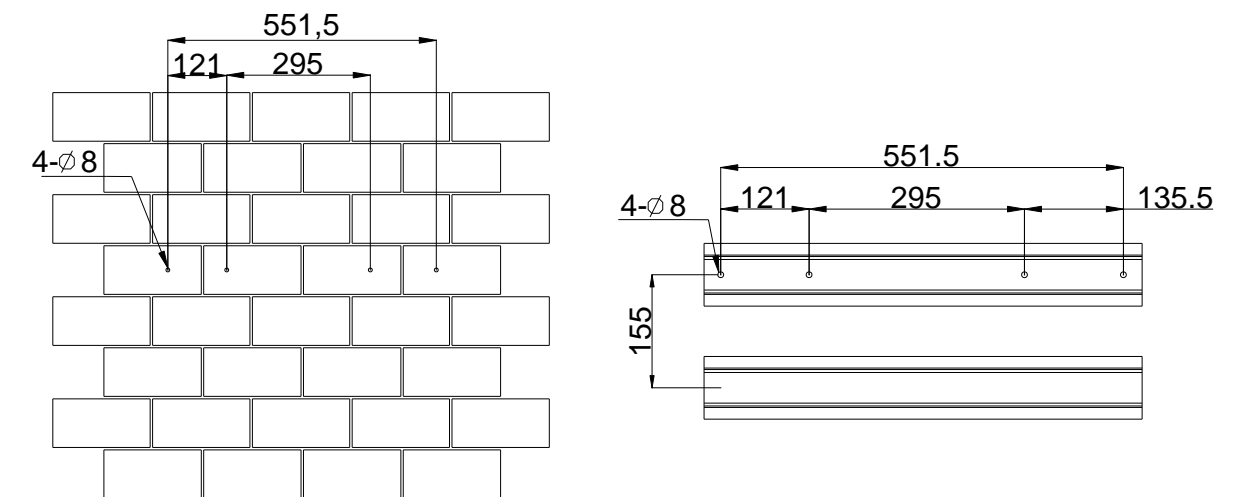
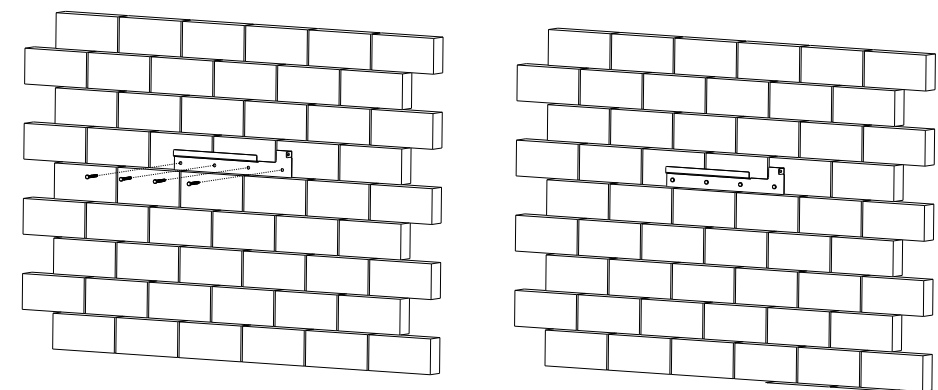


Fig. 2.3 Position of installing hole on hanging panel for R6-15K/17K/20K/22K/25K-T2-32, R6-25K-T2-32-B, R6-40K/50K-T4-32, R6-20K-T3-32-LV,

R6-25K/30K-T4-32-LV

3、 Inverter installation



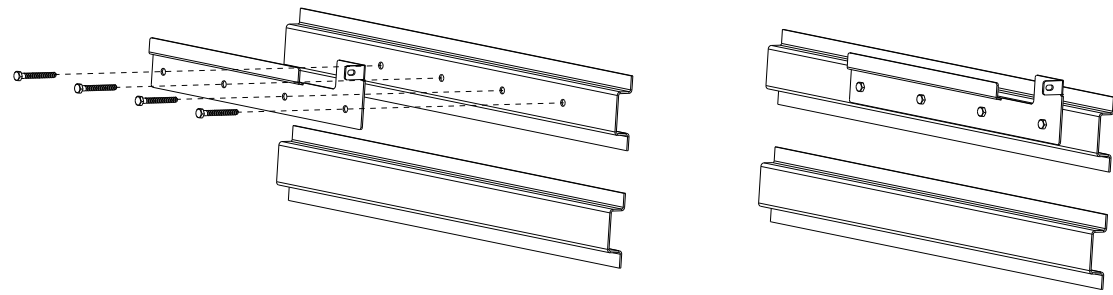


Fig. 3.1 Fix the hanging panel

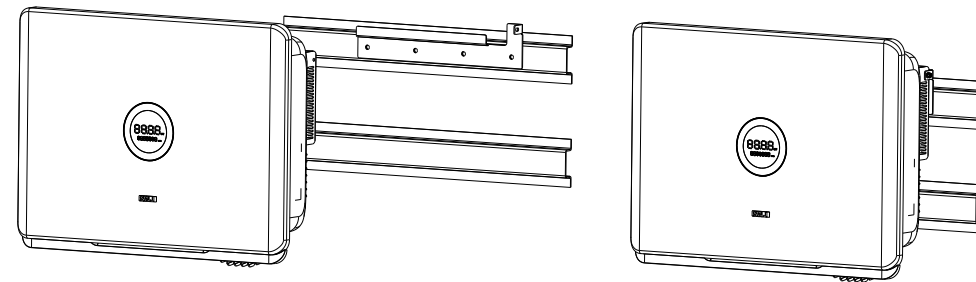
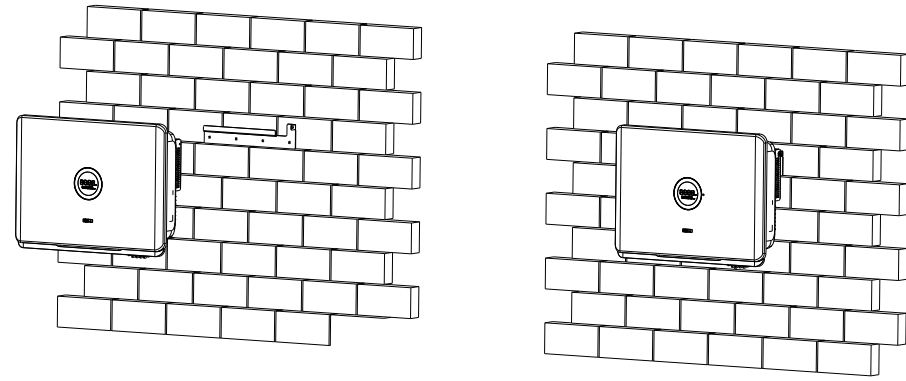


Fig. 3.2 Install the inverter on hanging panel

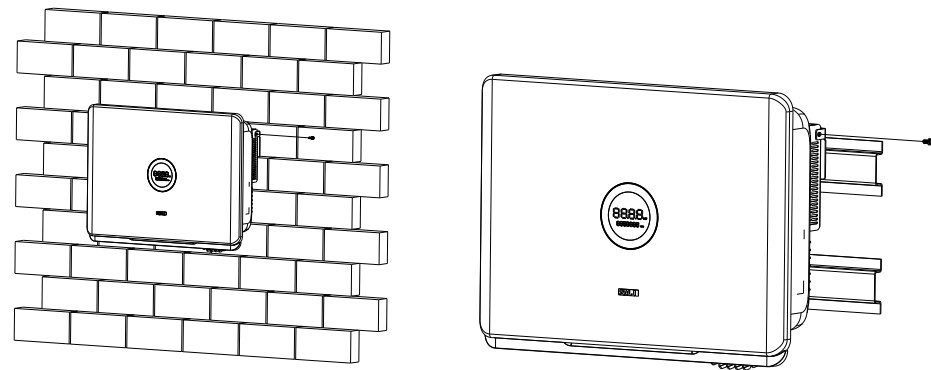


Fig. 3.3 Fix the inverter and hanging panel

4. Power grid side electrical connection

Type	Cross-sectional area of cables (mm ²)	
	Scope	Recommended value
R6-15K/17K/20K/22K/25K-T2-32, R6-5K/6K/8K/10K/15K-T2-32-LV, R6-25K-T2-32-B	10.0-16.0	16.0
R6-30K/33K/36K-T3-32, R6-20K-T3-32-LV, R6-25K/30K-T3-32-B	16.0-35.0	25.0
R6-36-50K-T4-32, R6-25K/30K-T4-32-LV	16.0-35.0	25.0

Table 4.1 AC side electrical connection

AC side electrical connection

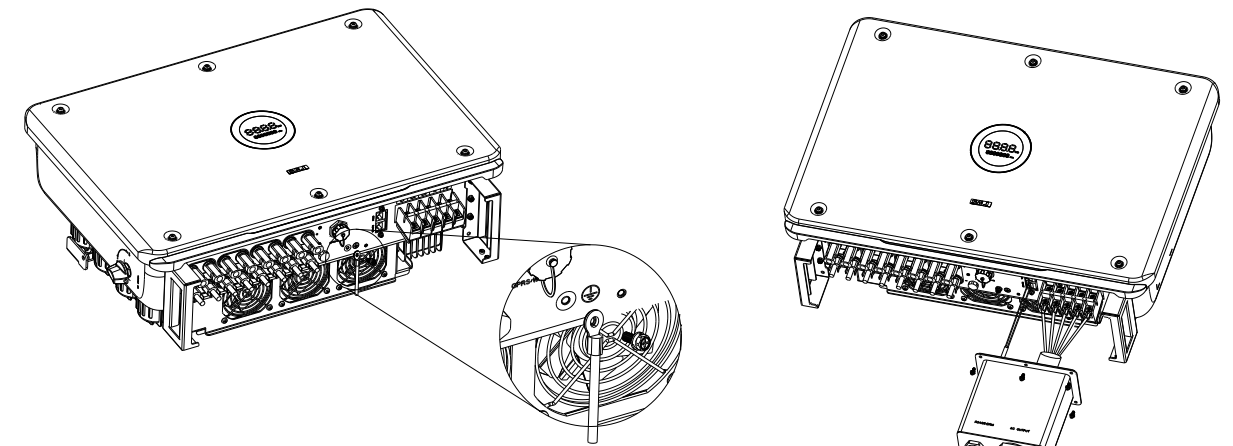


Fig. 4.1 Inverter ground protection

Fig. 4.2 Thread the cable into the quick connector

5. DC side connection

Cross-sectional area of cables(mm ²)		Outside diameter of the cables (mm)
Scope	Recommended value	
4.0-6.0	4.0	4.2-5.3

Table 5.1 Recommended specifications of DC cables

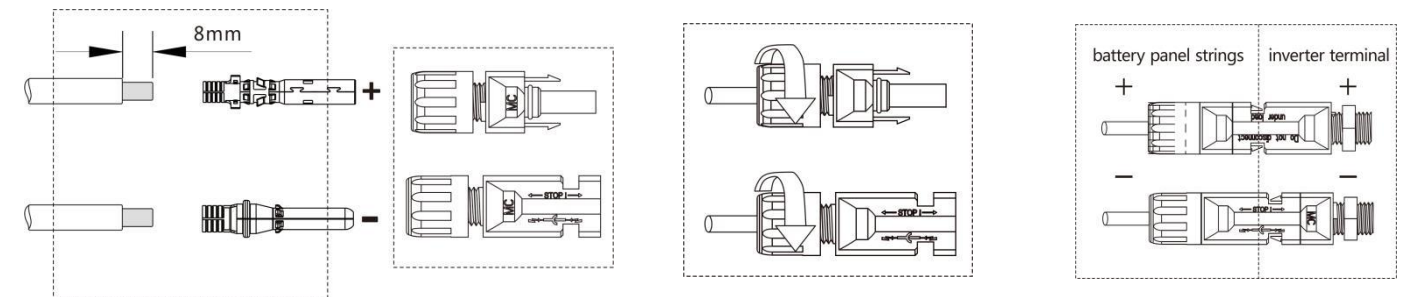


Fig. 5.1 Connect DC cable in a crimp-type way

Fig. 5.2 Insert the joint and screw it up

Fig. 5.3 Connect to the inverter

6. Connect the communication modules

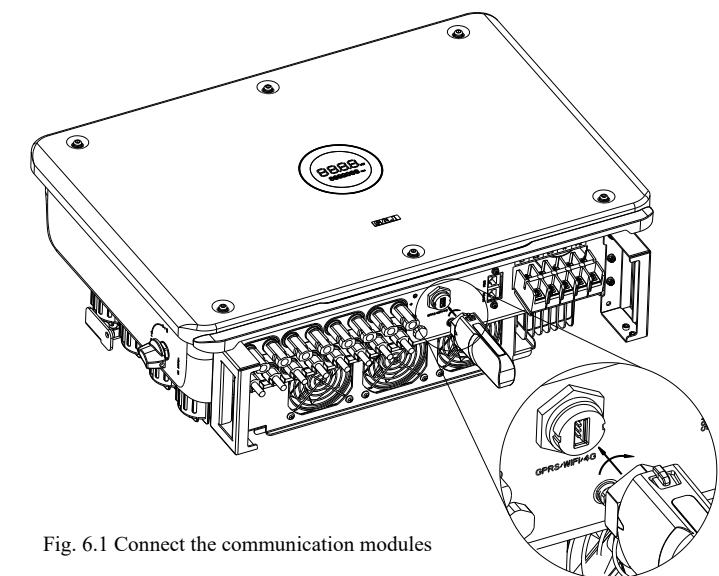


Fig. 6.1 Connect the communication modules