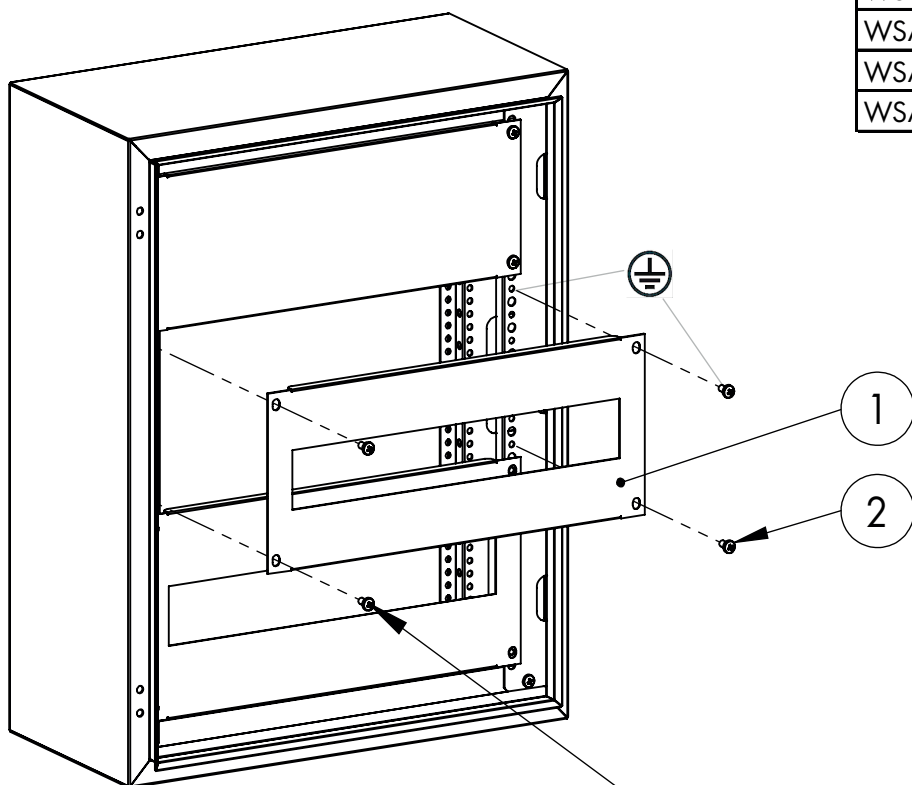




WSA Gerätefrontplatten

Artikelnummer	Höhe [mm]	Breite [mm]
WSAIL3012	H=120	B=300
WSAIL4012	H=120	B=400
WSAIL5012	H=120	B=500
WSAIL6012	H=120	B=600
WSAIL8012	H=120	B=800
WSAIL3016	H=160	B=300
WSAIL4016	H=160	B=400
WSAIL5016	H=160	B=500
WSAIL6016	H=160	B=600
WSAIL8016	H=160	B=800



Drehmoment
MA = 7Nm

LIEFERUMFANG

Nr.		Stk.
1		1
2	M5x10mm	4