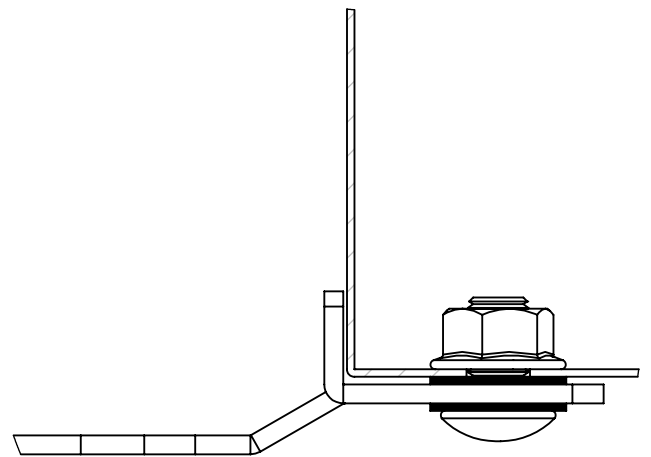
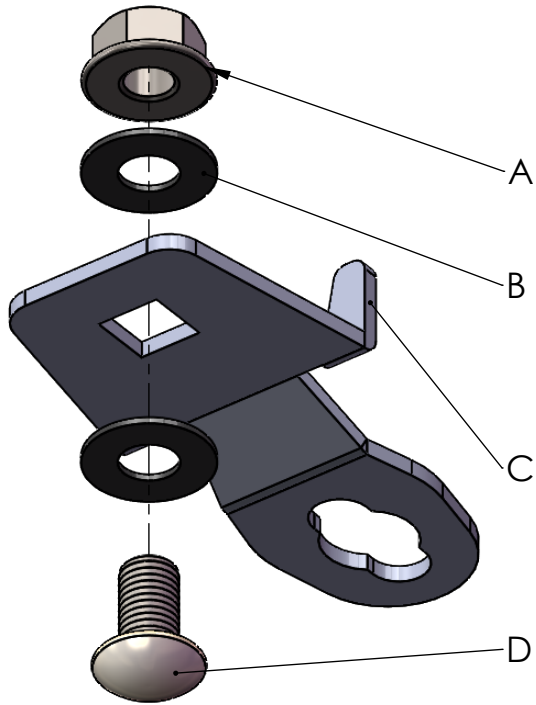






WSTWB006--



PART LIST

REF.		Pic.	REF.		Pic.
A		6	D		6
B		12			
C		6			